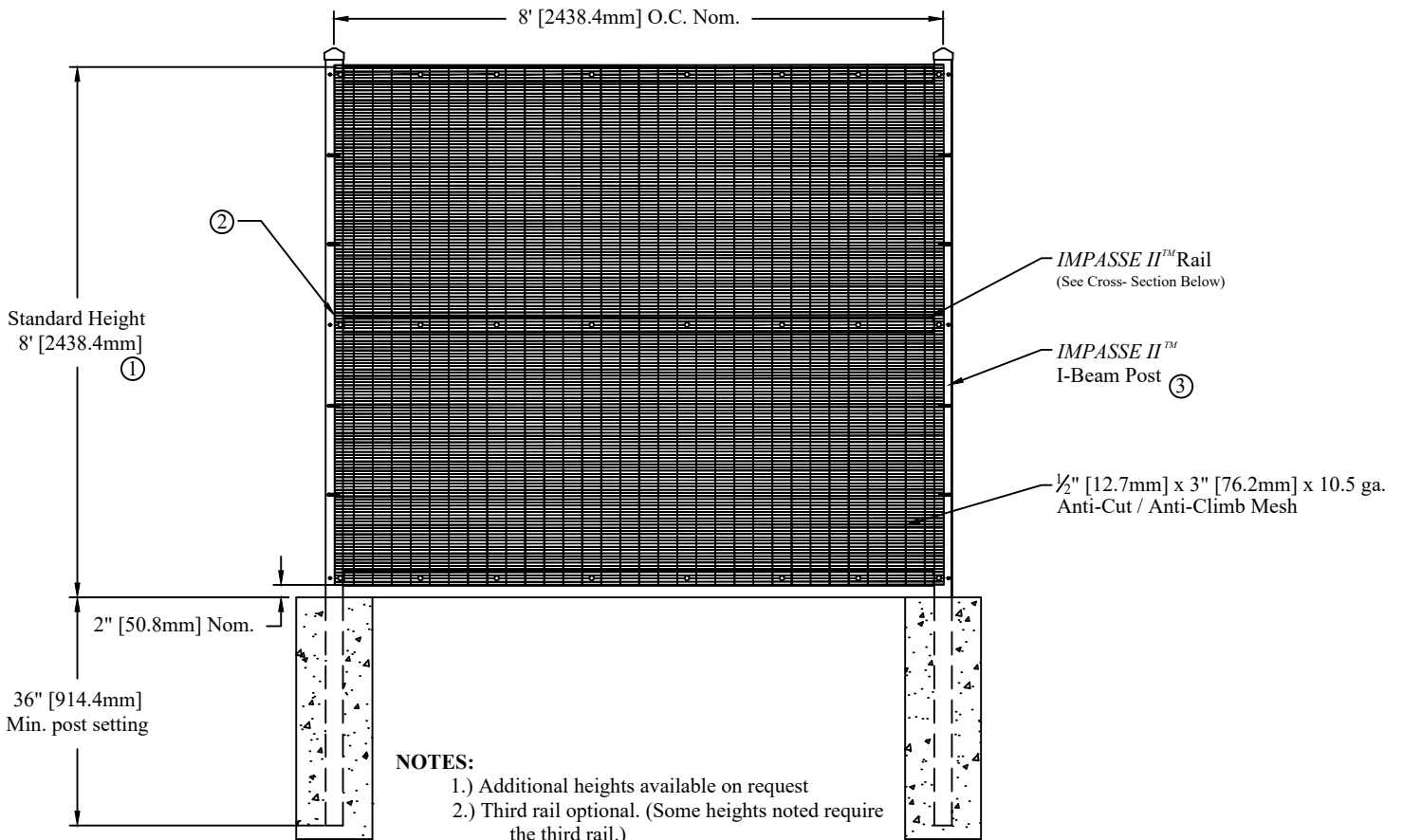
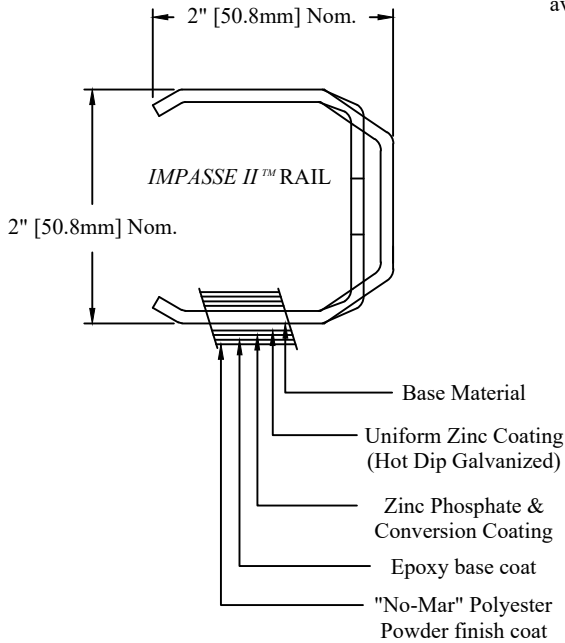


Values shown are nominal and not to be used for installation purposes. See product specification for installation requirements.



NOTES:

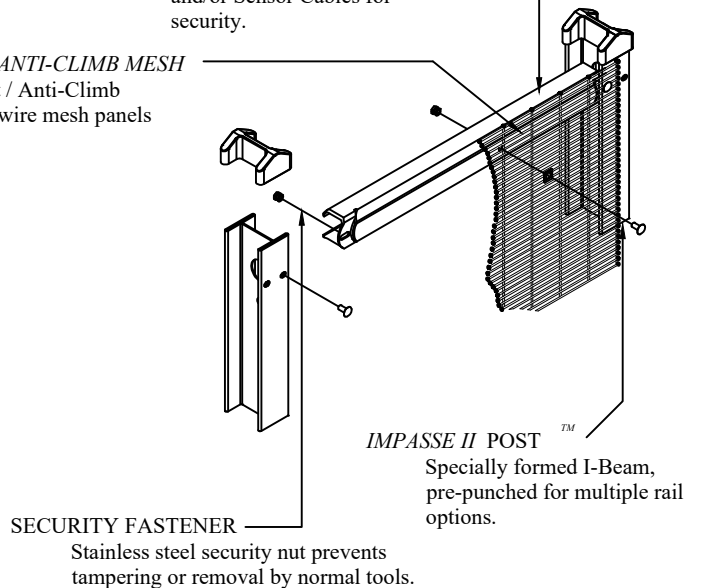
- 1.) Additional heights available on request
- 2.) Third rail optional. (Some heights noted require the third rail.)
- 3.) 3" [76.2mm] x 2.75" [69.85mm] I-Beam recommended for 8' [2438.4mm] height. 4" [101.6mm] x 2.75" I-Beam available for other heights.



IMPASSE II™ RAIL

Specially formed high strength architectural shape; lower lip contoured to carry - Steel Cable and/or Sensor Cables for security.

WIRE WORKS ANTI-CLIMB MESH
Anti-Cut / Anti-Climb
Welded wire mesh panels



HIGH SECURITY STEEL FENCE

WWACPISO

Title: **WIRE WORKS ANTI-CLIMB PANEL 3-RAIL**

DR: LJM | SH . 1 of 1 | SCALE: DO NOT SCALE

CK: | Date 03/26/18 | REV: D



AMERISTAR®

1555 N. Mingo
Tulsa, OK 74116
1-888-333-3422
www.ameristarfence.com