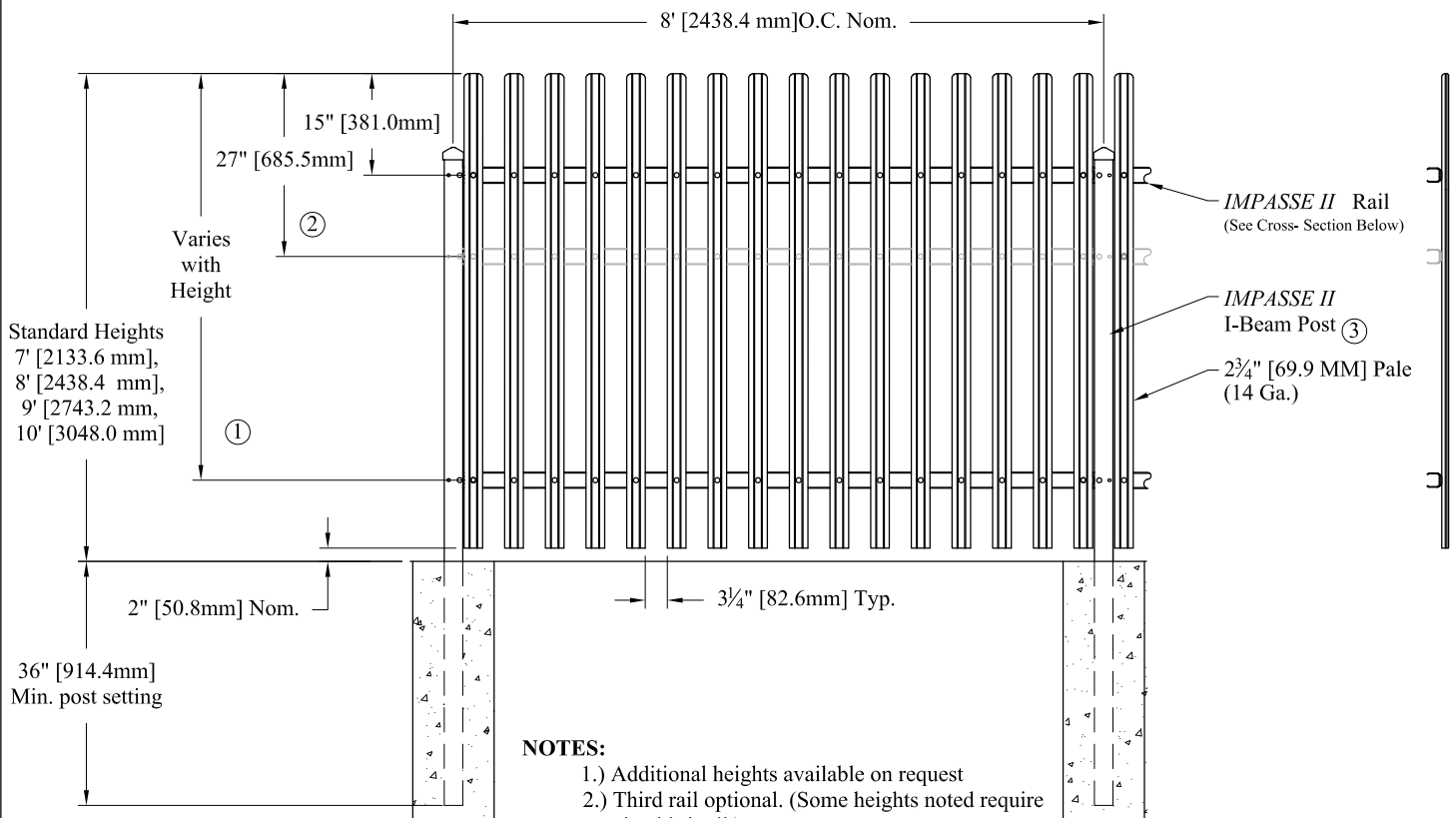
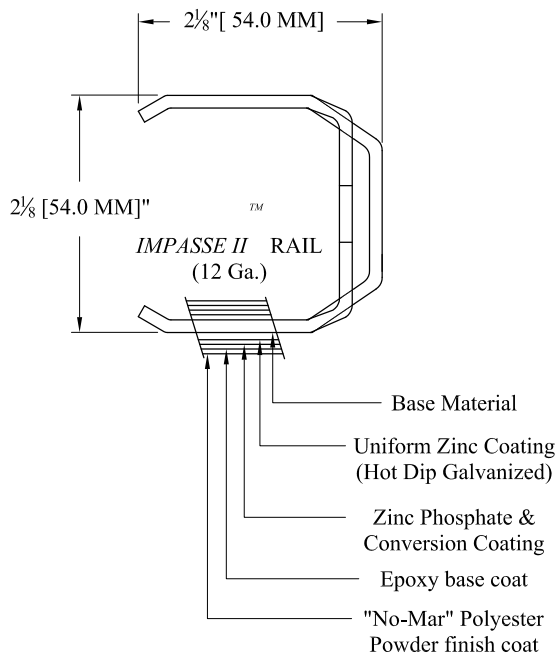


Values shown are nominal and not to be used for installation purposes. See product specification for installation requirements.



**NOTES:**

- 1.) Additional heights available on request
- 2.) Third rail optional. (Some heights noted require the third rail.)
- 3.) 3" [76.2 MM] x 12Ga. I-Beam recommended for 7' [2133.6 MM] & 8' [2438.4 MM] heights. 4" [101.6 MM] x 11Ga. I-Beam recommended for 9' [2743.2 MM] & 10' [3048.0 MM] heights.

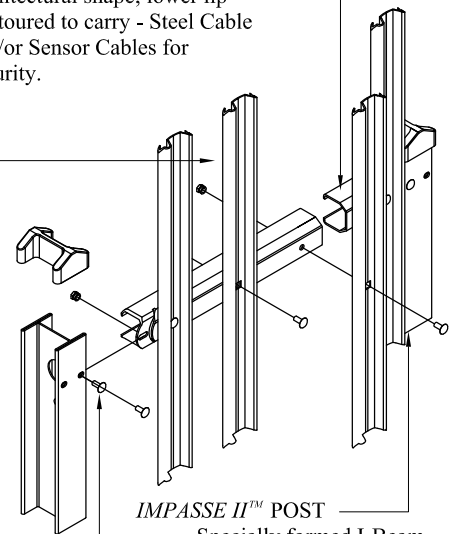


**IMPASSE II™ RAIL**

Specially formed high strength architectural shape; lower lip contoured to carry - Steel Cable and/or Sensor Cables for security.

**IMPASSE II™ PALE**

Specially formed high strength corrugated shape; resists prying or bending; bolt holes recessed to prevent chiselling of bolt head.



**IMPASSE II™ POST**

Specially formed I-Beam, pre-punched for multiple rail options.

**SECURITY FASTENER**

Stainless steel security nut prevents tampering or removal by normal tools.

**HIGH SECURITY STEEL FENCE**

Title: **IMPASSE II STRONGHOLD 2/3-RAIL**

DR: KMc SH . 1 of 1 SCALE: DO NOT SCALE

CK: Date 04/13/2015 REV: C



**AMERISTAR®**

1555 N. Mingo  
Tulsa, OK 74116  
1-888-333-3422  
www.ameristarfence.com