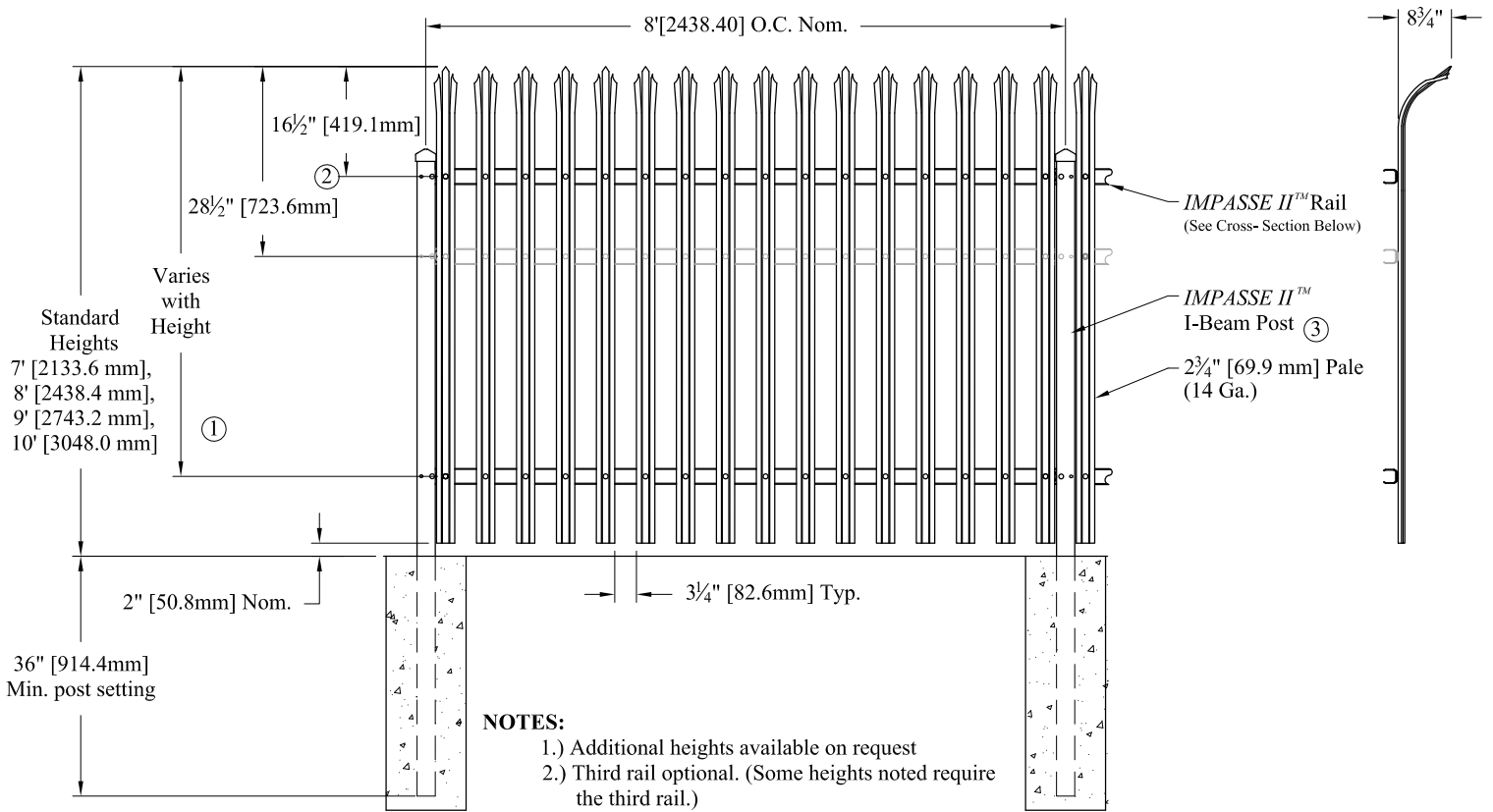
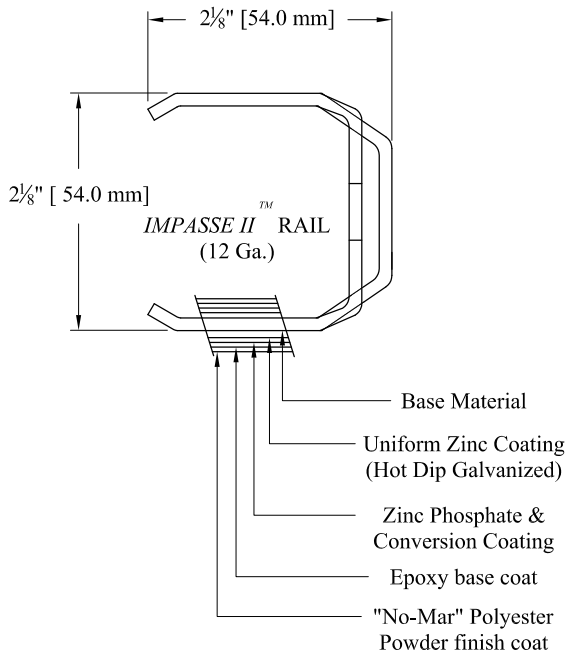


Values shown are nominal and not to be used for installation purposes. See product specification for installation requirements.



NOTES:

- 1.) Additional heights available on request
- 2.) Third rail optional. (Some heights noted require the third rail.)
- 3.) 3" [76.2 mm] x 12Ga. I-Beam recommended for 7' [2133.6 mm] & 8' [2438.4 mm] heights. 4" [101.6 mm] x 11Ga. I-Beam recommended for 9' [2743.2 mm] & 10' [3048.0 mm] heights.

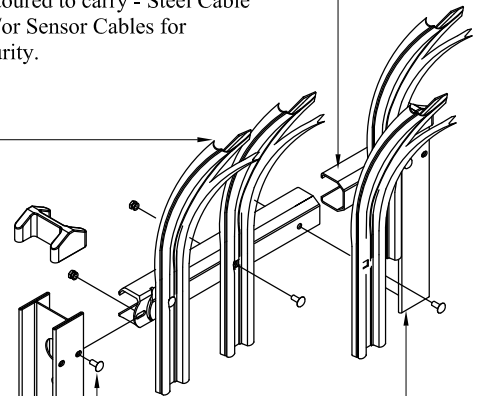


IMPASSE II™ RAIL

Specially formed high strength architectural shape; lower lip contoured to carry - Steel Cable and/or Sensor Cables for security.

IMPASSE II™ PALE

Specially formed high strength corrugated shape; resists prying or bending; bolt holes recessed to prevent chiselling of bolt head.



IMPASSE II™ POST

Specially formed I-Beam, pre-punched for multiple rail options.

SECURITY FASTENER

Stainless steel security nut prevents tampering or removal by normal tools.

HIGH SECURITY STEEL FENCE

Title: **IMPASSE II GAUNTLET 2/3-RAIL**

DR: KMc	SH . 1 of 1	SCALE: DO NOT SCALE
CK:	Date 04/13/2015	REV: C



AMERISTAR®

1555 N. Mingo
Tulsa, OK 74116
1-888-333-3422
www.ameristarfence.com