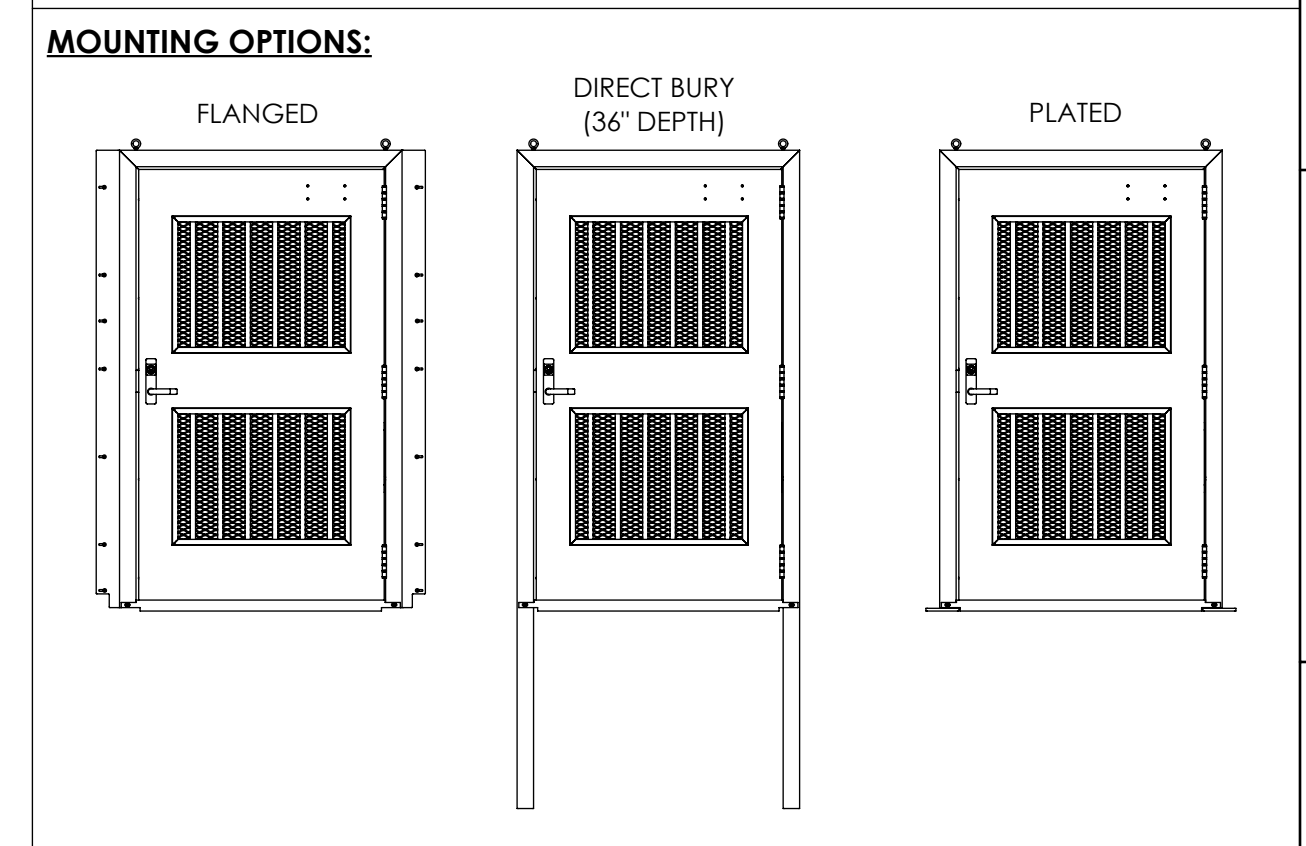
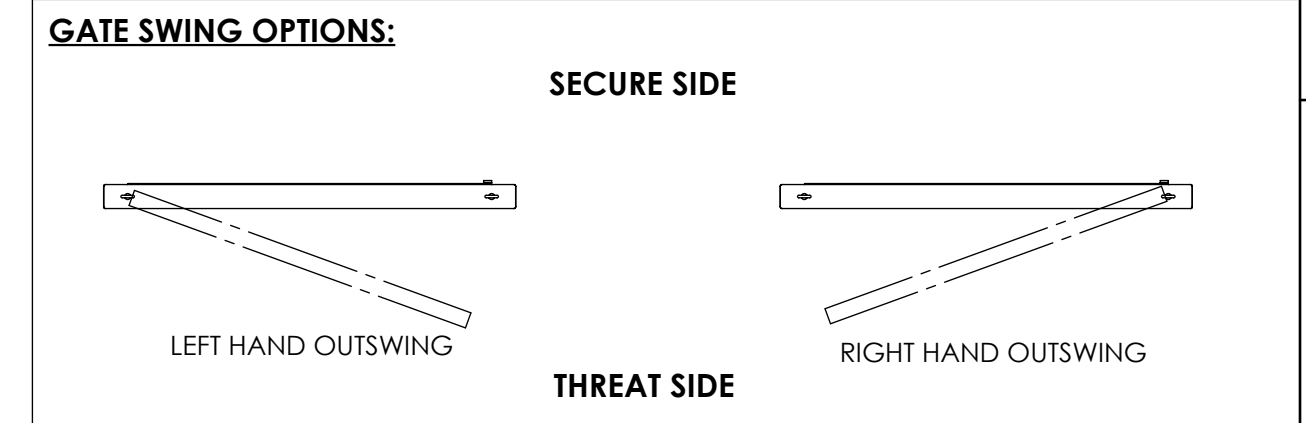
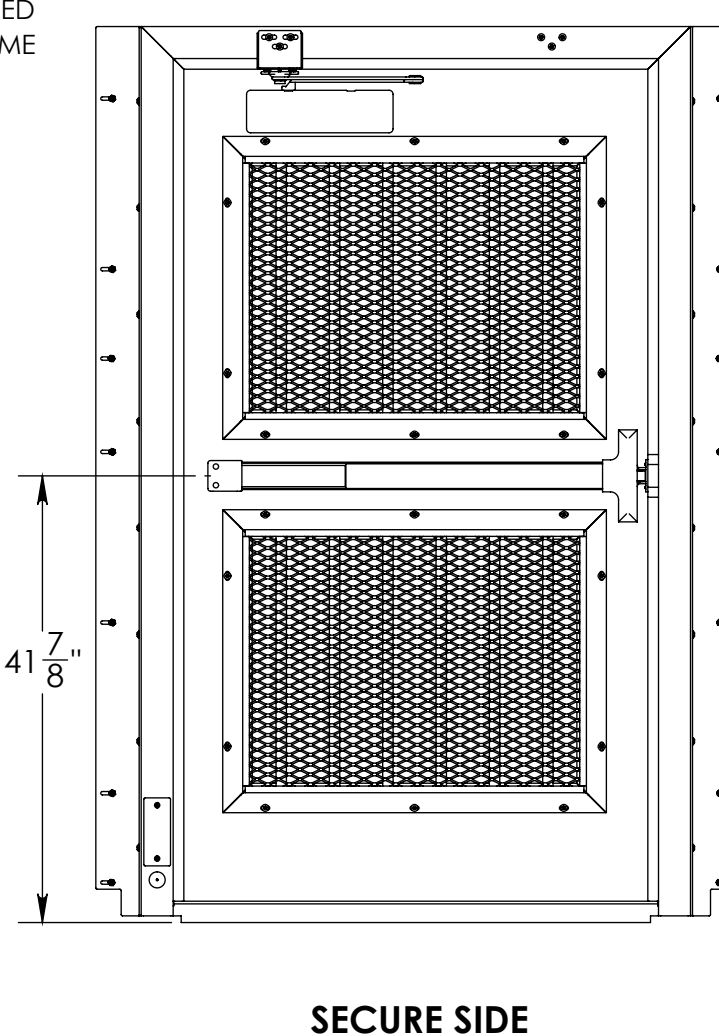
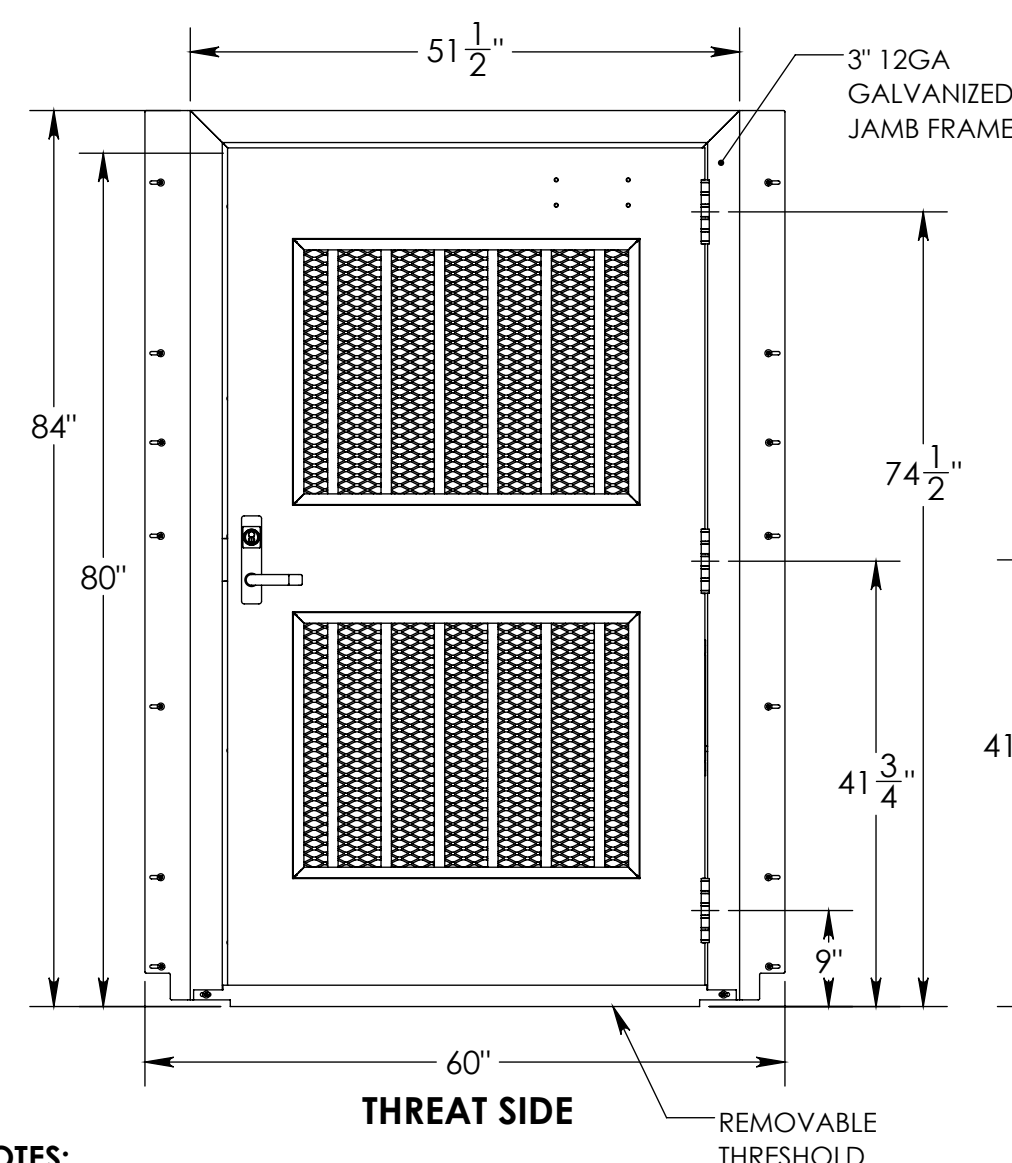
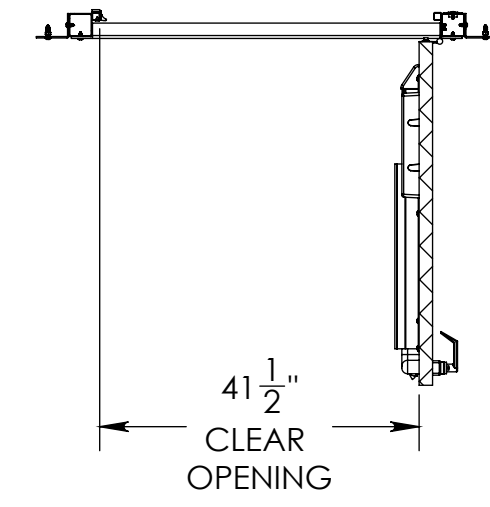
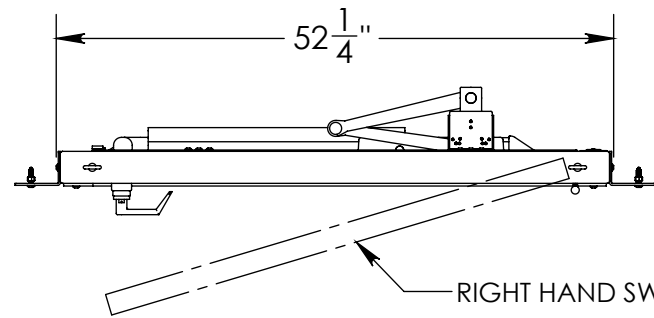


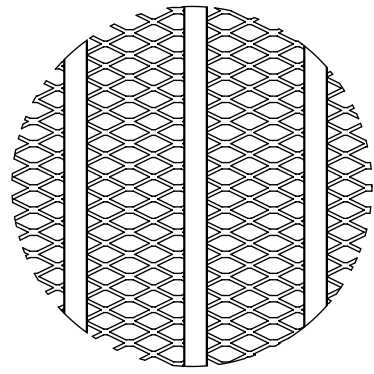
REV	DESCRIPTION	DATE	ENGINEER
-----	-------------	------	----------



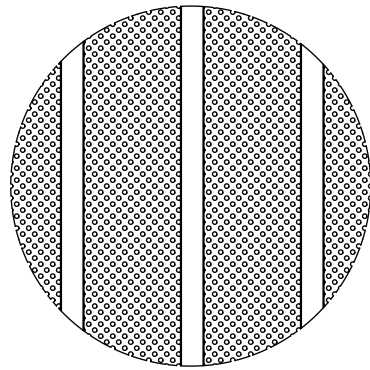
NOTES:
 GATE SHOWN WITH RIGHT HAND OUTSWING
 3" 12GA GALVANIZED JAMB (STANDARD)
 1-3/4" 14GA GALVANIZED GATE (STANDARD)
 DETEX TRIM HANDLE
 DETEX V40 SERIES EXIT DEVICE
 NORTON 7500 PARALLEL ARM CLOSER
 HEAVY DUTY MCKINNEY HINGE (X3) (STANDARD)
 6" X 12" BASE PLATE (OTHER MOUNTING OPTIONS AVAILABLE)
 1" PICKET WITH XSPAN INFILL (OTHER INFILL OPTIONS AVAILABLE)

<p>NOTICE TO PERSONS RECEIVING THIS DRAWING AND/OR TECHNICAL INFORMATION Ameristar Perimeter Security USA Inc claims proprietary rights to the material disclosed herein. This drawing and/or technical information is issued in confidence for engineering information only and may not be reproduced or used to manufacture anything shown or referred to herein without direct written permission from Ameristar Perimeter Security USA Inc to the user. This drawing and/or technical information is the property of Ameristar Perimeter Security USA Inc and is loaned for mutual assistance to be returned when its purpose has been served.</p>	<p>UNLESS OTHERWISE SPECIFIED TOLERANCES</p> <p>X.X ± .06 X.XX ± .03 X.XXX ± .02 ANGLES ± 0.5° FRACTIONS ± 1/8 SURFACE FINISH $\sqrt{63}$</p>	<p>DRAWING COMPLIES WITH ASME Y14.5M - 1994</p> <p>INCH MM</p> <p>THIRD ANGLE PROJECTION</p>	<p>EXODUS GATE</p>		
	<p>ASSA ABLOY Ameristar Perimeter Security USA Inc Tulsa</p>	<p>HEAT TREATMENT</p> <p>SURFACE/FINISH</p>	<p>DATE CREATED 7/20/2017</p> <p>DRAWN BY nathan</p> <p>DESIGNED BY nathan</p>	<p>DOCUMENT ID</p>	<p>SCALE 1:18</p> <p>SIZE B</p>

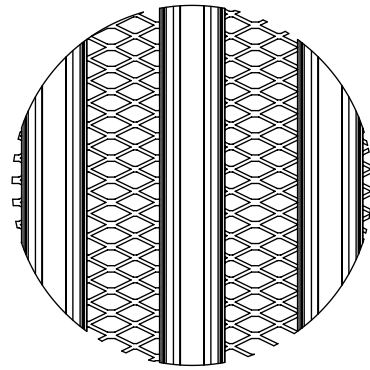
INFILL OPTIONS:



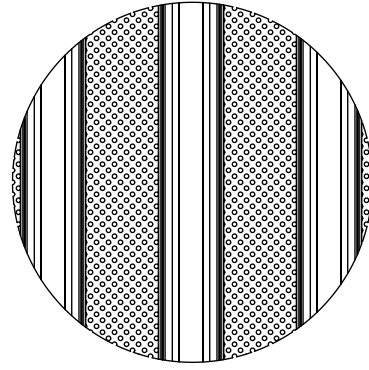
1" PICKET W/
3/4" #9 FLAT EXPANDED METAL



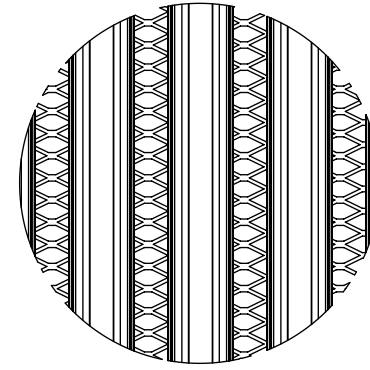
1" PICKET W/
3/16" RND X 1/2" 18 GA PERF



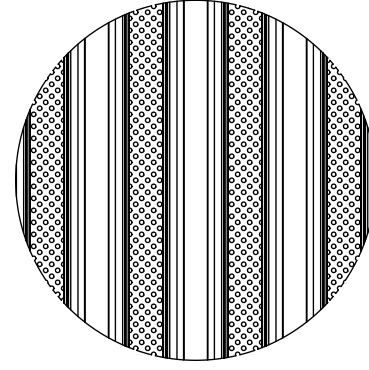
PALE W/
3/4" #9 FLAT EXPANDED METAL



PALE W/
3/16" RND X 1/2" 18 GA PERF



ANTI-CLIMB PALE W/
3/4" #9 FLAT EXPANDED METAL



ANTI-CLIMB PALE W/
3/16" RND X 1/2" 18 GA PERF

HARDWARE OPTIONS:

SET 1:
DETEX V40 EXIT DEVICE
SECURITECH ELECTRIFIED TRIM HANDLE
NORTON 7500 PARALLEL ARM CLOSER

SET 2:
DETEX V40 EXIT DEVICE
DETEX NARROW STYLE TRIM HANDLE
NORTON 7500 PARALLEL ARM CLOSER

SET 3:
DETEX V40 EXIT DEVICE
ROCKWOOD VRT16 PULL HANDLE
NORTON 7500 PARALLEL ARM CLOSER

SET 4:
VON DUPRIN 99 SERIES EXIT DEVICE
ROCKWOOD VRT16 PULL HANDLE
LCN 4040XPSRI PARALLEL ARM CLOSER

SET 5:
VON DUPRIN 99 SERIES EXIT DEVICE
VON DUPRIN 996 TRIM HANDLE
LCN 4040XPSRI PARALLEL ARM CLOSER

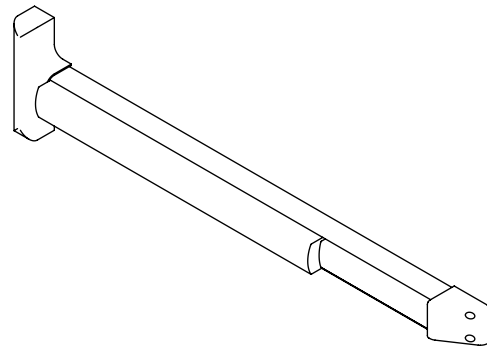
SET 6:
VON DUPRIN 99 SERIES EXIT DEVICE
VON DUPRIN E996L ELECTRIFIED TRIM HANDLE
LCN 4040XPSRI PARALLEL ARM CLOSER

SET 7:
DETEX V40 EXIT DEVICE
SIMPLEX DIGITAL LOCK WITH TRIM HANDLE
NORTON 7500 PARALLEL ARM CLOSER

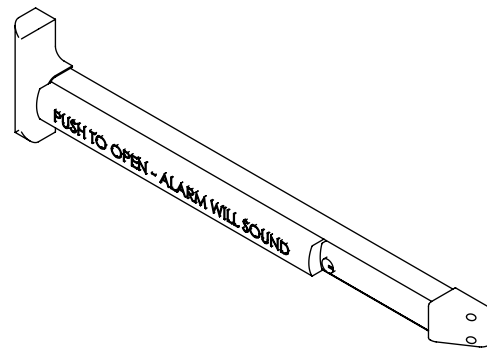
SET 8:
SARGENT 8200 MORTISE LOCK
NORTON 7500 PARALLEL ARM CLOSER

SET 9:
DETEX V40 EXIT DEVICE WITH ALARM
DETEX NARROW STYLE TRIM HANDLE
NORTON 7500 PARALLEL ARM CLOSER

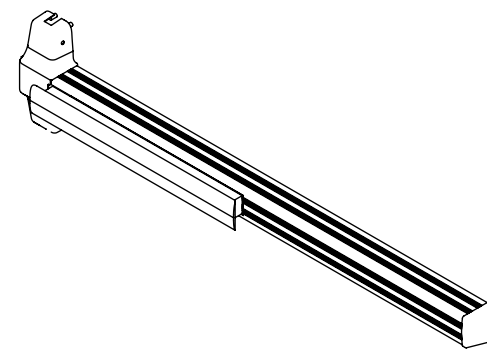
DETEX V40 SERIES EXIT DEVICE



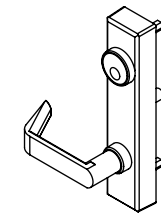
DETEX V40 SERIES EXIT DEVICE WITH ALARM



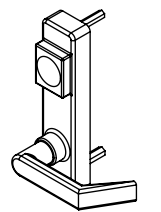
VON DUPRIN 99 SERIES EXIT DEVICE



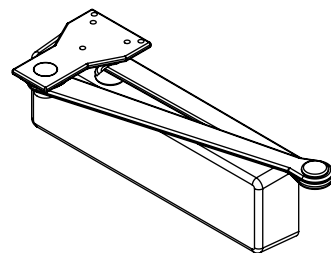
SECURITECH TRIM HANDLE



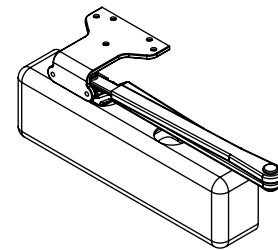
DETEX TRIM HANDLE



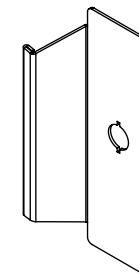
NORTON 7500 PARALLEL ARM CLOSER



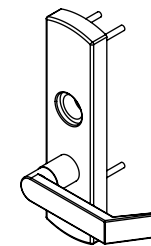
LCN 4040XPSRI PARALLEL ARM CLOSER



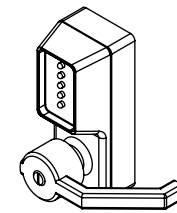
ROCKWOOD PULL HANDLE



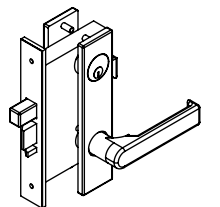
VON DUPRIN 996/ E996L TRIM HANDLE



SIMPLEX PULL HANDLE



SARGENT 8200 MORTISE LOCK



NOTICE TO PERSONS RECEIVING THIS DRAWING AND/OR TECHNICAL INFORMATION
Ameristar Perimeter Security USA Inc claims proprietary rights to the material disclosed herein. This drawing and/or technical information is issued in confidence for engineering information only and may not be reproduced or used to manufacture anything shown or referred to herein without direct written permission from Ameristar Perimeter Security USA Inc to the user. This drawing and/or technical information is the property of Ameristar Perimeter Security USA Inc and is loaned for mutual assistance to be returned when its purpose has been served.

UNLESS OTHERWISE SPECIFIED TOLERANCES
X.X ±.06
X.XX ±.03
X.XXX ±.02
ANGLES ±0.5°
FRACTIONS ± 1/8
SURFACE FINISH 63

ASSA ABLOY

Ameristar Perimeter Security USA Inc
Tulsa

DRAWING COMPLIES WITH
ASME Y14.5M - 1994

INCH
MM

THIRD ANGLE
PROJECTION

MATERIAL

HEAT TREATMENT

SURFACE/FINISH

MASS lb VOLUME SURFACE AREA in²

EXODUS GATE

DATE CREATED
7/20/2017

DRAWN BY
nathan

DESIGNED BY
nathan

DOCUMENT ID

SCALE
1:25

SIZE
B

DRAWING NUMBER (ALT ID)