

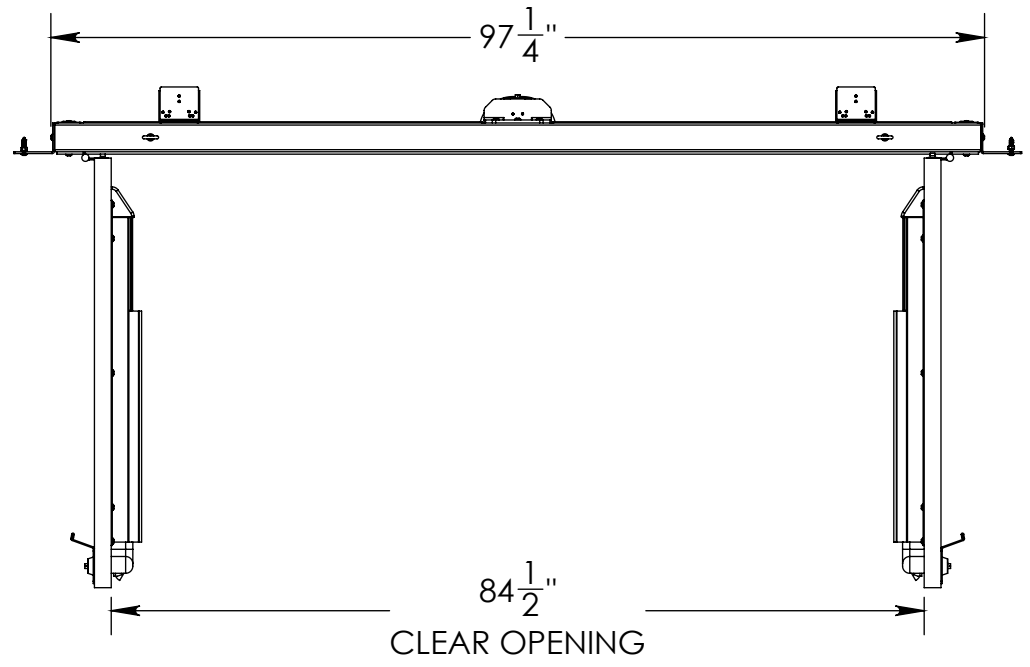
REV	DESCRIPTION	DATE	ENGINEER
-----	-------------	------	----------

D

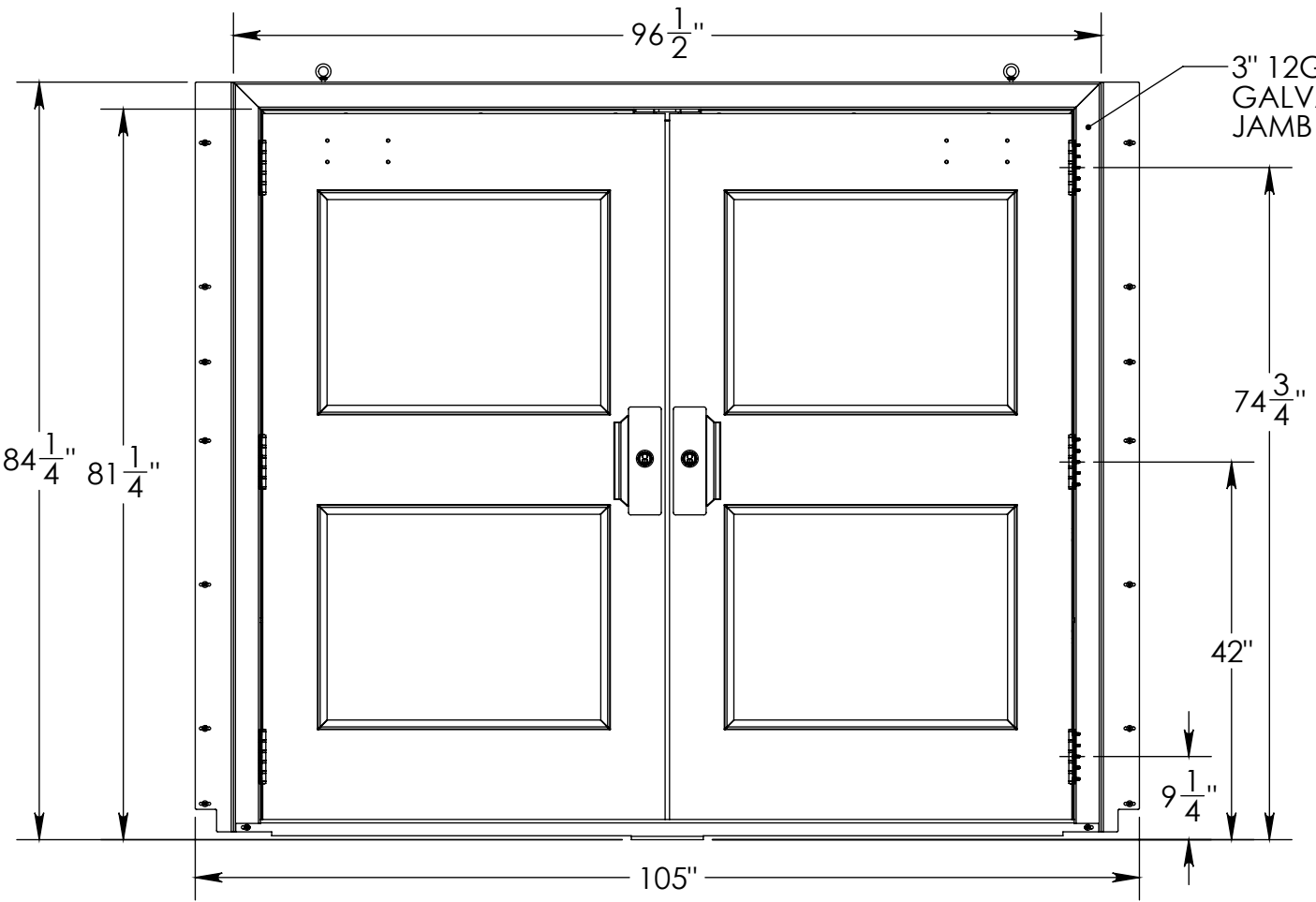
C

B

A

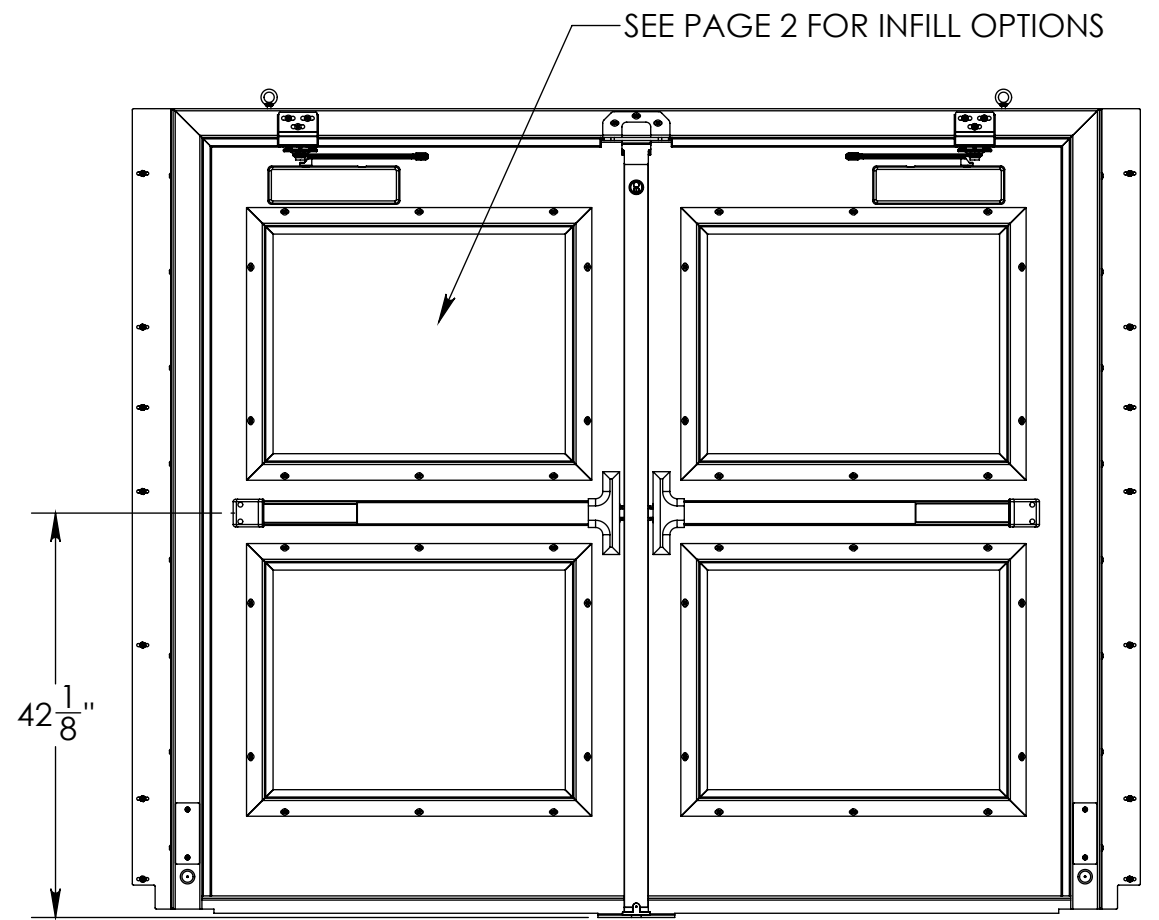


84 1/2"
CLEAR OPENING



THREAT SIDE

3" 12GA
GALVANIZED
JAMB FRAME



SECURE SIDE

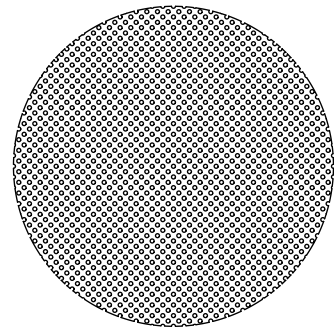
- GATE SHOWN:**
- 3" 12GA GALVANIZED JAMB (STANDARD)
 - 1-3/4" 14GA GALVANIZED GATE (STANDARD)
 - ROCKWOOD PULL HANDLE (x2)
 - DETEX V40 SERIES EXIT DEVICE (x2)
 - NORTON 7500 PARALLEL ARM CLOSER (x2)
 - SARGENT L980A LOCKABLE MULLION (STANDARD)
 - HEAVY DUTY MCKINNEY HINGE (x6) (STANDARD)

NOTICE TO PERSONS RECEIVING THIS DRAWING AND/OR TECHNICAL INFORMATION
 Ameristar Perimeter Security USA Inc claims proprietary rights to the material disclosed herein. This drawing and/or technical information is issued in confidence for engineering information only and may not be reproduced or used to manufacture anything shown or referred to herein without direct written permission from Ameristar Perimeter Security USA Inc to the user. This drawing and/or technical information is the property of Ameristar Perimeter Security USA Inc and is loaned for mutual assistance to be returned when its purpose has been served.

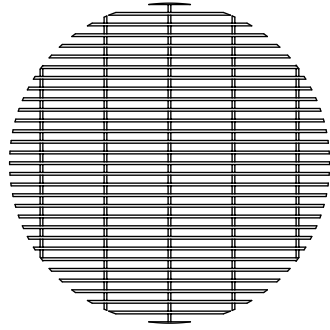
UNLESS OTHERWISE SPECIFIED TOLERANCES X.X ±.06 X.XX ±.03 X.XXX ±.02 ANGLES ±0.5° FRACTIONS ± 1/8 SURFACE FINISH 63/	DRAWING COMPLIES WITH ASME Y14.5M - 1994
	INCH MM
	THIRD ANGLE PROJECTION
ASSA ABLOY Ameristar Perimeter Security USA Inc Tulsa	

EXODUS DUAL GATE		
DATE CREATED 5/22/2018	DRAWN BY nathan	DESIGNED BY nathan
SCALE 1:20	SIZE B	

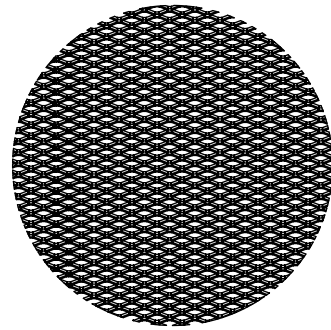
INFILL OPTIONS:



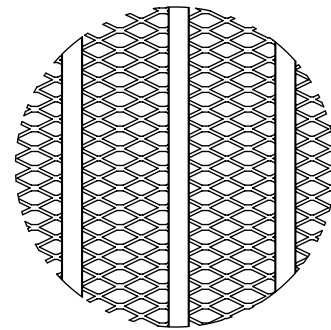
3/16" RND X 1/2" 18 GA PERF



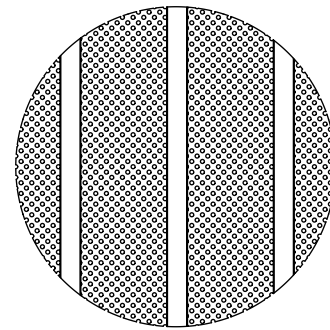
WIREWORKS ANTI-CLIMB



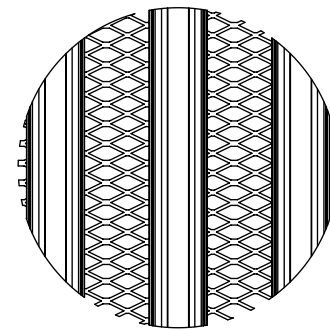
X-SPAN® MODIFIED
.5" x #13R (.188 STRAND)



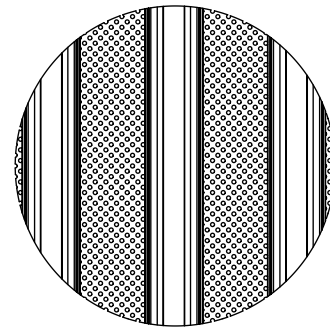
1" PICKET W/
3/4" #9 FLAT EXPANDED METAL



1" PICKET W/
3/16" RND X 1/2" 18 GA PERF



PALE W/
3/4" #9 FLAT EXPANDED METAL



PALE W/
3/16" RND X 1/2" 18 GA PERF

HARDWARE OPTIONS:

SET 1:
DETEX V40 EXIT DEVICE
SECURITECH ELECTRIFIED TRIM HANDLE
NORTON 7500 PARALLEL ARM CLOSER

DETEX V40 SERIES EXIT DEVICE

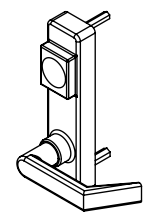
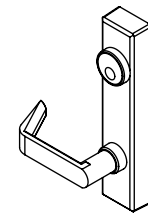
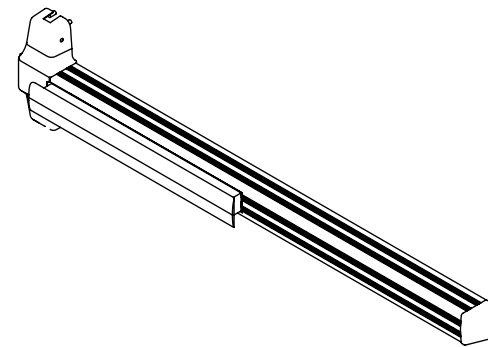
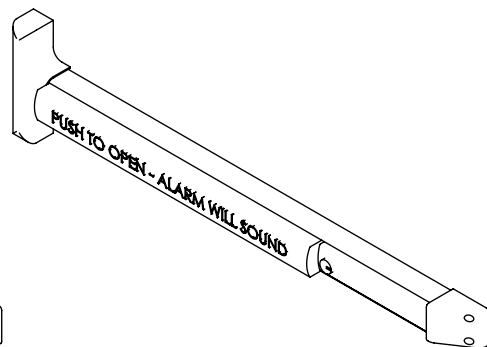
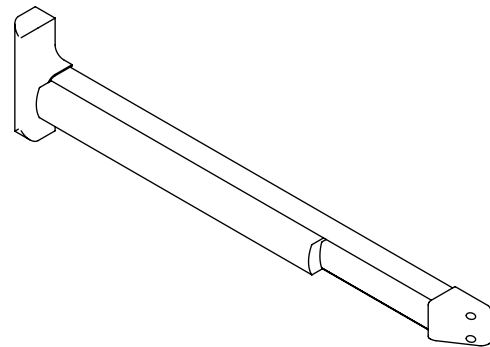
DETEX V40 SERIES EXIT DEVICE WITH ALARM

VON DUPRIN 99 SERIES EXIT DEVICE

SECURITECH TRIM HANDLE

DETEX TRIM HANDLE

SET 2:
DETEX V40 EXIT DEVICE
DETEX NARROW STYLE TRIM HANDLE
NORTON 7500 PARALLEL ARM CLOSER



SET 3:
DETEX V40 EXIT DEVICE
ROCKWOOD VRT16 PULL HANDLE
NORTON 7500 PARALLEL ARM CLOSER

SET 4:
VON DUPRIN 99 SERIES EXIT DEVICE
ROCKWOOD VRT16 PULL HANDLE
LCN 4040XPSRI PARALLEL ARM CLOSER

NORTON 7500 PARALLEL ARM CLOSER

LCN 4040XPSRI PARALLEL ARM CLOSER

ROCKWOOD PULL HANDLE

VON DUPRIN 996/ E996L TRIM HANDLE

SIMPLEX PULL HANDLE

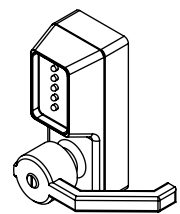
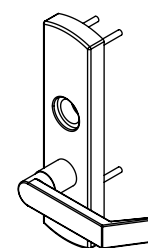
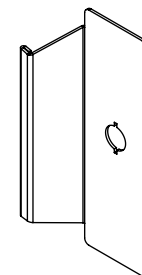
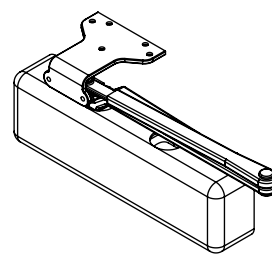
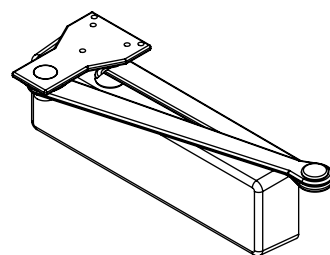
SET 5:
VON DUPRIN 99 SERIES EXIT DEVICE
VON DUPRIN 996 TRIM HANDLE
LCN 4040XPSRI PARALLEL ARM CLOSER

SET 6:
VON DUPRIN 99 SERIES EXIT DEVICE
VON DUPRIN E996L ELECTRIFIED TRIM HANDLE
LCN 4040XPSRI PARALLEL ARM CLOSER

SET 7:
DETEX V40 EXIT DEVICE
SIMPLEX DIGITAL LOCK WITH TRIM HANDLE
NORTON 7500 PARALLEL ARM CLOSER

SET 8:
NOT AVAILABLE ON DOUBLE SWING GATE

SET 9:
DETEX V40 EXIT DEVICE WITH ALARM
DETEX NARROW STYLE TRIM HANDLE
NORTON 7500 PARALLEL ARM CLOSER



NOTICE TO PERSONS RECEIVING THIS DRAWING AND/OR TECHNICAL INFORMATION
Ameristar Perimeter Security USA Inc claims proprietary rights to the material disclosed herein. This drawing and/or technical information is issued in confidence for engineering information only and may not be reproduced or used to manufacture anything shown or referred to herein without direct written permission from Ameristar Perimeter Security USA Inc to the user. This drawing and/or technical information is the property of Ameristar Perimeter Security USA Inc and is loaned for mutual assistance to be returned when its purpose has been served.

UNLESS OTHERWISE SPECIFIED TOLERANCES
X.X ± .06
X.XX ± .03
X.XXX ± .02
ANGLES ± 0.5°
FRACTIONS ± 1/8
SURFACE FINISH 63/

DRAWING COMPLIES WITH ASME Y14.5M - 1994

INCH

MM

THIRD ANGLE PROJECTION

ASSA ABLOY

Ameristar Perimeter Security USA Inc
Tulsa

EXODUS DUAL GATE

DATE CREATED
5/22/2018

DRAWN BY
nathan

DESIGNED BY
nathan

SCALE
1:20

SIZE
B