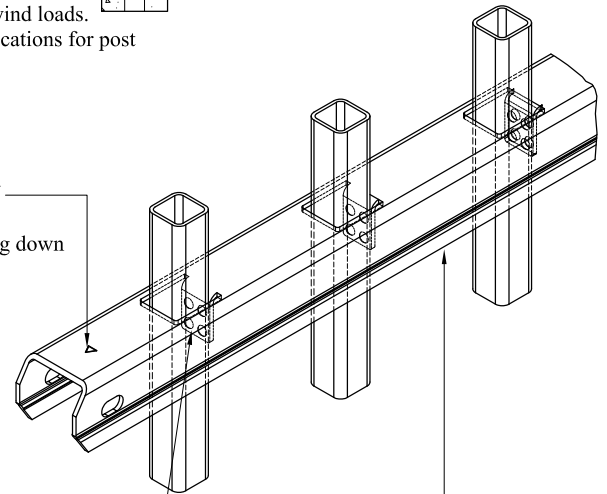


NOTES:

- 1.) Post size depends on fence height and wind loads. See MONTAGE INDUSTRIAL™ specifications for post sizing chart and setting dimensions.
- 2.) Third & Fourth rail optional.
- 3.) Available in Flush Bottom.

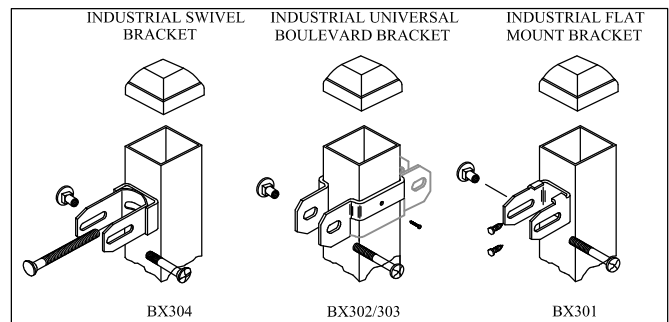
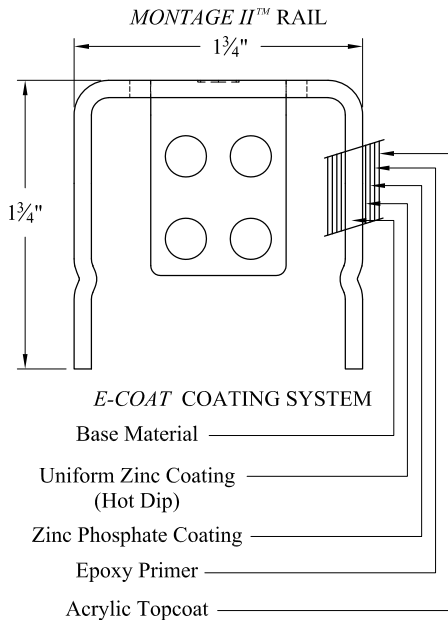
RAKING DIRECTIONAL ARROW
Welded panel can be raked 30" over 8' with arrow pointing down grade.



PROFUSION™ WELDING PROCESS

No exposed welds,
Good Neighbor profile - Same appearance on both sides

MONTAGE II™ RAIL
Specially formed high strength architectural shape.



Values shown are nominal and not to be used for installation purposes. See product specification for installation requirements.

2RCISO

HEAVY INDUSTRIAL STRENGTH WELDED STEEL PANEL
PRE-ASSEMBLED

Title: **MONTAGE INDUSTRIAL CLASSIC 2/3/4-RAIL**

DR: CI SH . 1 of 1 SCALE: DO NOT SCALE

CK: ME Date 6/28/10 REV: b



AMERISTAR®

1555 N. Mingo
Tulsa, OK 74116
1-888-333-3422
www.ameristarfence.com