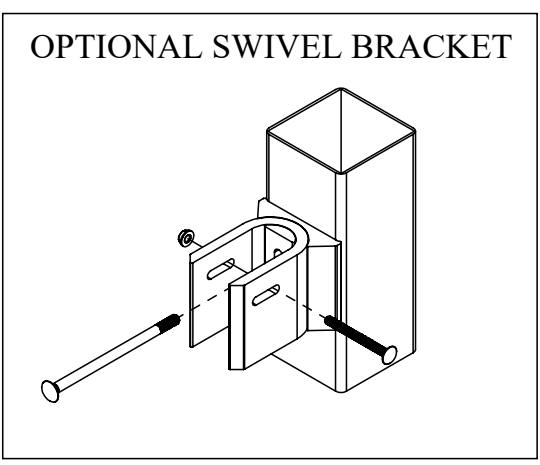
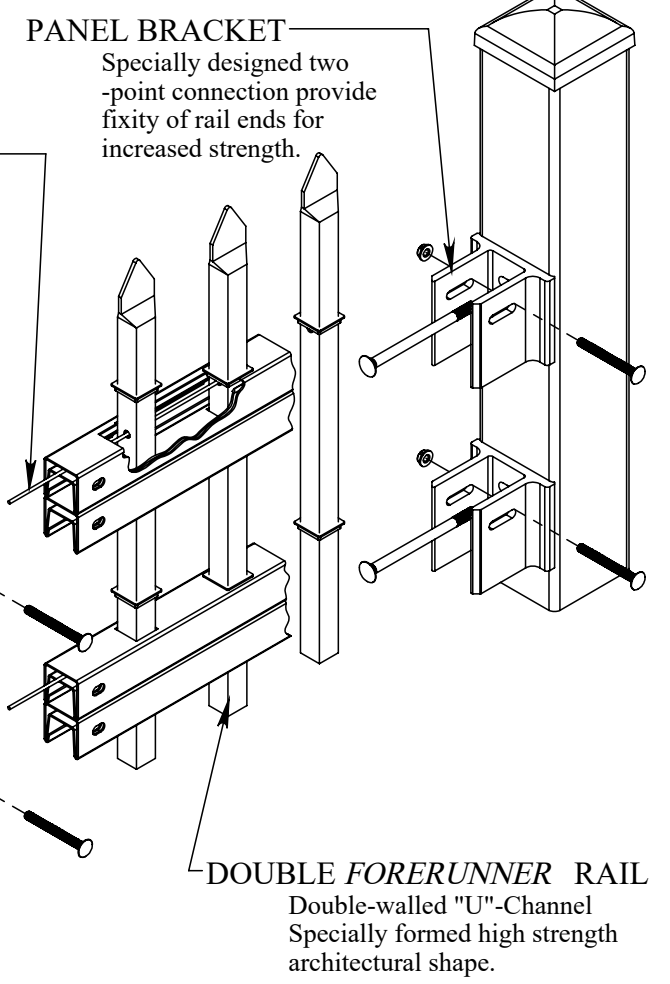


INTERNAL RETAINING ROD
Variable pitch connection system allows ease of installation, angle bias ability and elimination of unsightly external fasteners.



NOTES:
1.) Additional heights available on request. Post height will change with Adornment installation.
2.) Third rail optional.

Values shown are nominal and not to be used for installation purposes. See product specification for installation requirements.

<p>NOTICE TO PERSONS RECEIVING THIS DRAWING AND/OR TECHNICAL INFORMATION Ameristar Perimeter Security USA Inc claims proprietary rights to the material disclosed herein. This drawing and/or technical information is issued in confidence for engineering information only and may not be reproduced or used to manufacture anything shown or referred to herein without direct written permission from Ameristar Perimeter Security USA Inc to the user. This drawing and/or technical information is the property of Ameristar Perimeter Security USA Inc and is loaned for mutual assistance to be returned when its purpose has been served.</p>	<p>UNLESS OTHERWISE SPECIFIED TOLERANCES X.X ±.06 X.XX ±.03 X.XXX ±.02 ANGLES ±0.5° FRACTIONS ± 1/8 SURFACE FINISH $\sqrt{63}$</p>	DRAWING COMPLIES WITH ASME Y14.5M - 1994	MATERIAL	AEGIS II® XTREME 6'W		
		<p>INCH</p> <p>MM</p>	HEAT TREATMENT	DATE CREATED	DRAWN BY	DESIGNED BY
<p>ASSA ABLOY Ameristar Perimeter Security USA Inc Tulsa</p>	THIRD ANGLE PROJECTION	SURFACE/FINISH	DOCUMENT ID	SCALE 1:14	SIZE B	
	<p>MASS</p> <p>VOLUME</p> <p>SURFACE AREA</p>	<p>DRAWING NUMBER (ALT ID) AEGIS II® XTREME 6'W</p>				