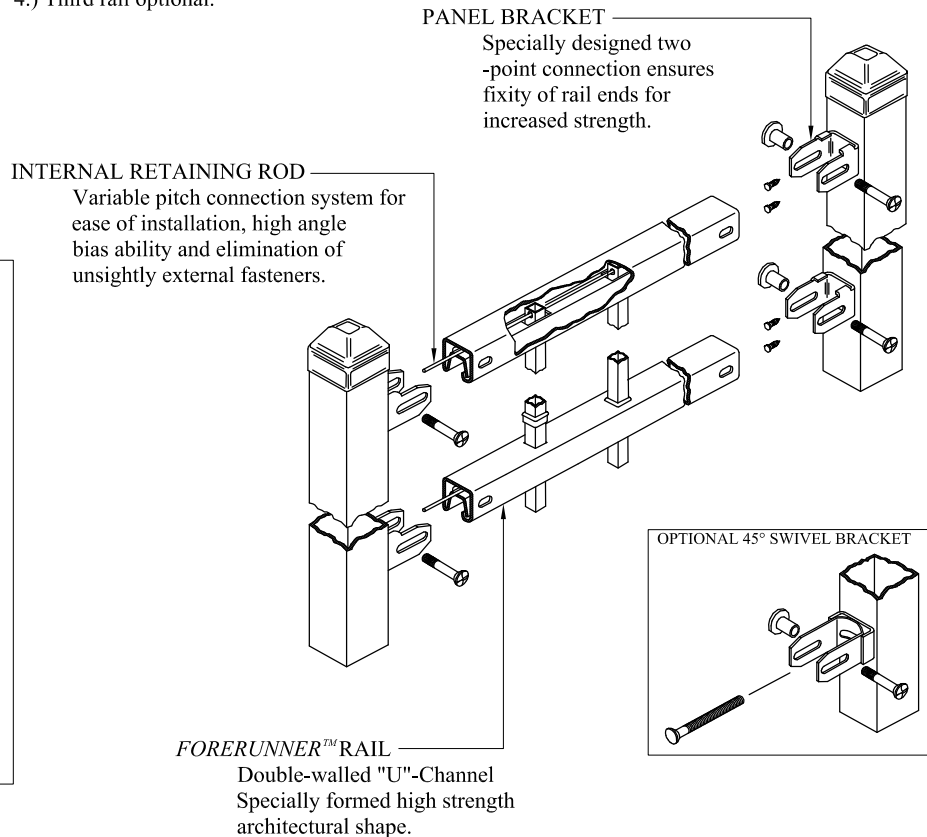
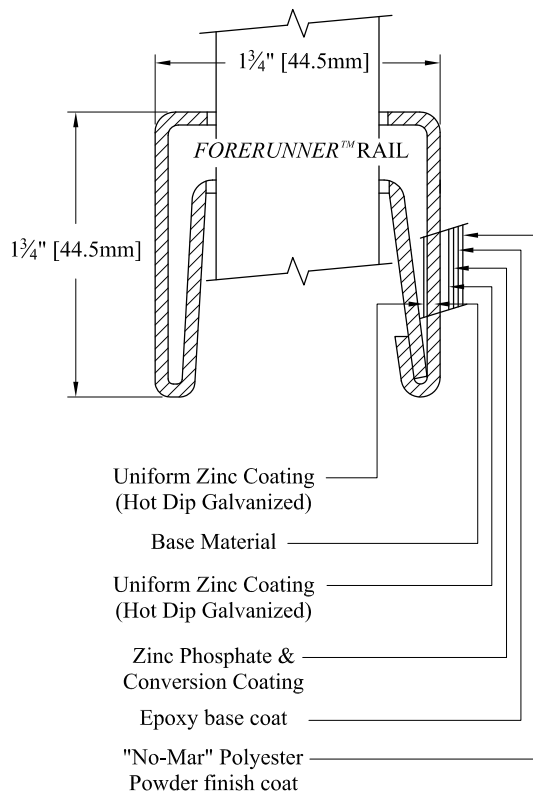


**NOTES:**

- 1.) Post size depends on fence height and wind loads. See AEGIS II™ post sizing chart.
- 2.) Panels also available for 6' on center post spacing
- 3.) Additional heights available on request
- 4.) Third rail optional.



Values shown are nominal and not to be used for installation purposes. See product specification for installation requirements.

**INDUSTRIAL STRENGTH STEEL**

Title: <b>AEGIS II MAJESTIC 2/3-RAIL</b>			
DR: KMc	SH . 1 of 1	SCALE: DO NOT SCALE	
CK:	Date 04/17/2015	REV: D	



**AMERISTAR®**

1555 N. Mingo  
Tulsa, OK 74116  
1-888-333-3422  
www.ameristarfence.com