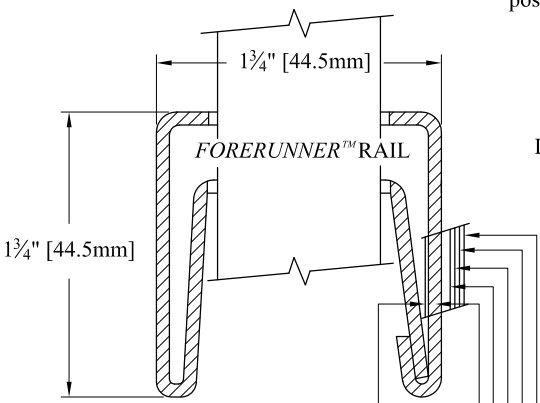


Standard Heights
 7' [2133.6mm],
 8' [2438.4mm],
 9' [2743.2mm],
 10' [3048.0mm]

2" [50.8mm] Nom.
 36" [914.4mm] Min.
 Footing depth

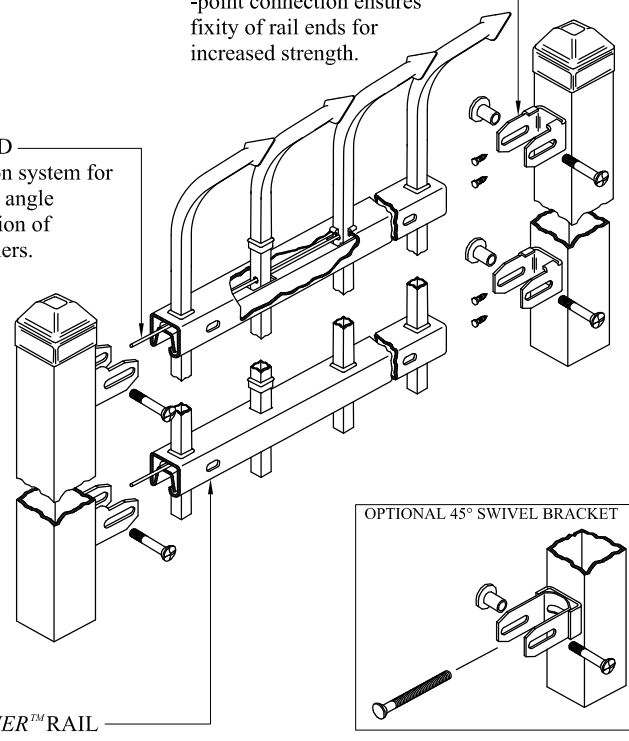
- NOTES:**
- 1.) Post size depends on fence height and wind loads. See *AEGIS II* post sizing chart.
 - 2.) Additional heights available on request.
 - 3.) Third rail optional.
 - 4.) Panels also available for 6' on center post spacing.



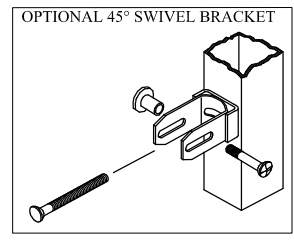
Uniform Zinc Coating (Hot Dip Galvanized)
 Base Material
 Uniform Zinc Coating (Hot Dip Galvanized)
 Zinc Phosphate & Conversion Coating
 Epoxy base coat
 "No-Mar" Polyester Powder finish coat

INTERNAL RETAINING ROD
 Variable pitch connection system for ease of installation, high angle bias ability and elimination of unsightly external fasteners.

PANEL BRACKET
 Specially designed two-point connection ensures fixity of rail ends for increased strength.



FORERUNNER™ RAIL
 Double-walled "U"-Channel
 Specially formed high strength architectural shape.



Values shown are nominal and not to be used for installation purposes. See product specification for installation requirements.

INDUSTRIAL STRENGTH STEEL

Title: AEGIS II INVINCIBLE 2/3-RAIL			
DR: KMc	SH . 1 of 1	SCALE: DO NOT SCALE	
CK:	Date 04/17/2015	REV: D	



AMERISTAR®

1555 N. Mingo
 Tulsa, OK 74116
 1-888-333-3422
 www.ameristarfence.com