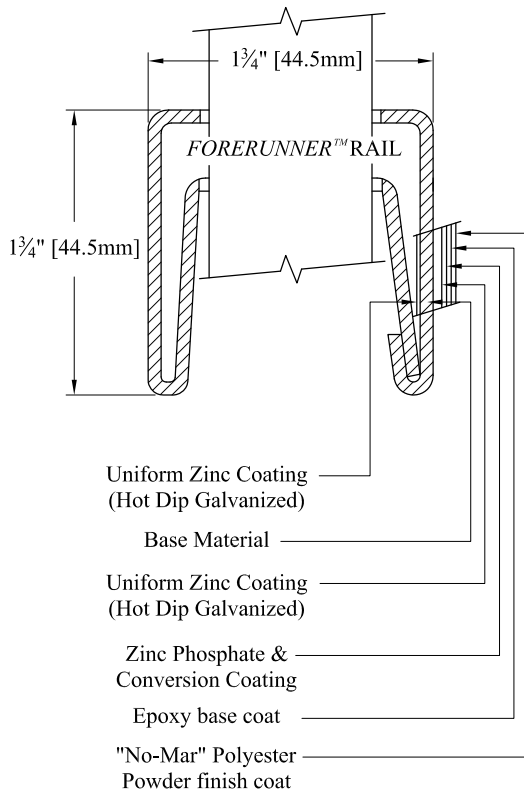


NOTES:

- 1.) Post size depends on fence height and wind loads. See AEGIS II TM post sizing chart.
- 2.) Panels also available for 6' on center post spacing
- 3.) Additional heights available on request. Post height will change with Adornment installation.
- 4.) Third rail optional.



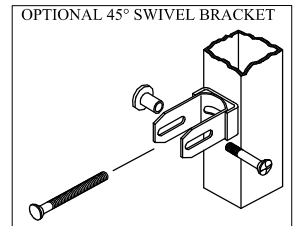
INTERNAL RETAINING ROD

Variable pitch connection system for ease of installation, high angle bias ability and elimination of unsightly external fasteners.

PANEL BRACKET

Specially designed two-point connection ensures fixity of rail ends for increased strength.

FORERUNNER™ RAIL
 Double-walled "U"-Channel
 Specially formed high strength architectural shape.



Values shown are nominal and not to be used for installation purposes. See product specification for installation requirements.

INDUSTRIAL STRENGTH STEEL

Title: **AEGIS II GENESIS 2/3-RAIL**

| | | |
|---------|-----------------|---------------------|
| DR: KMc | SH . 1 of 1 | SCALE: DO NOT SCALE |
| CK: | Date 04/17/2015 | REV: D |



AMERISTAR®

1555 N. Mingo
 Tulsa, OK 74116
 1-888-333-3422
 www.ameristarfence.com