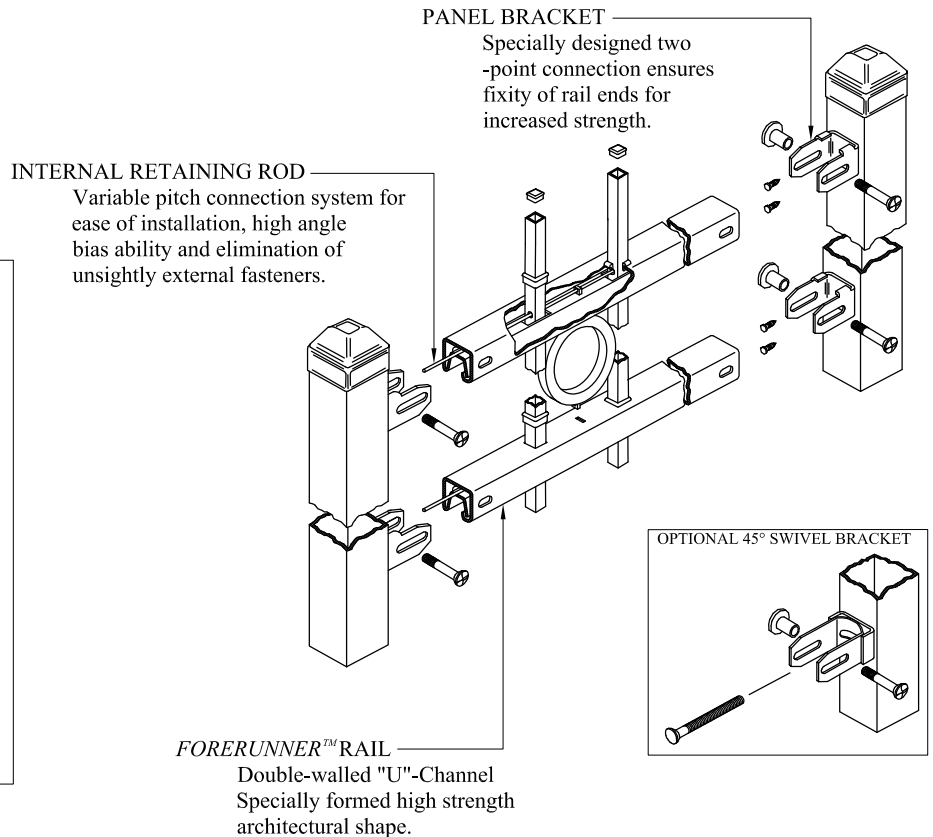
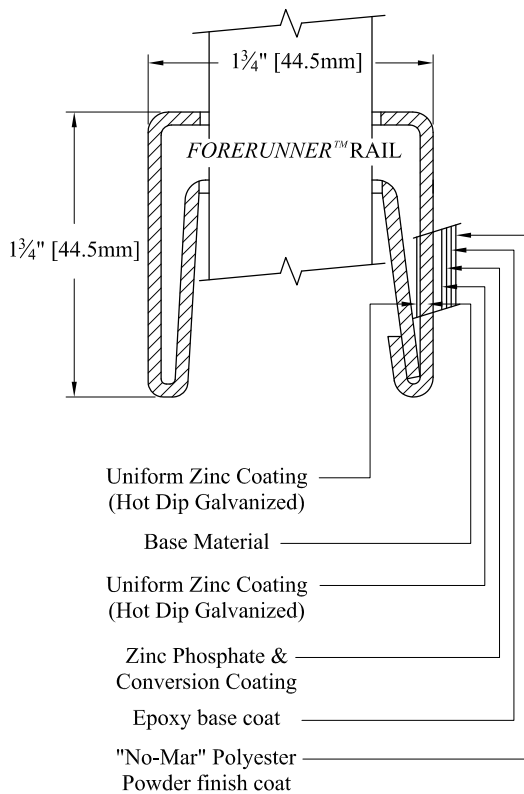


**NOTES:**

- 1.) Post size depends on fence height and wind loads. See *AEGIS II™* post sizing chart.
- 2.) Panels also available for 6' on center post spacing
- 3.) Additional heights available on request. Post height will change with Adornment installation.



**INDUSTRIAL STRENGTH STEEL**

Values shown are nominal and not to be used for installation purposes. See product specification for installation requirements.

Title: <b>AEGIS II GENESIS 3-RAIL W/RINGS</b>			
DR: KMc	SH . 1 of 1	SCALE: DO NOT SCALE	
CK:	Date 04/17/2015	REV: D	



**AMERISTAR®**

1555 N. Mingo  
 Tulsa, OK 74116  
 1-888-333-3422  
 www.ameristarfence.com