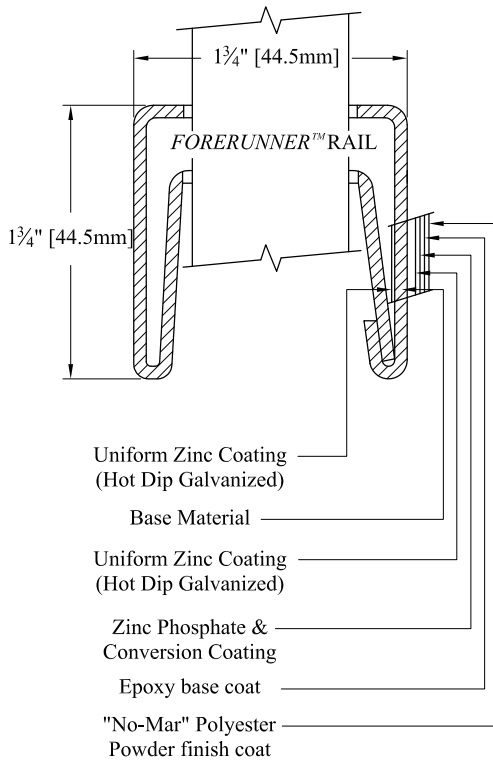


NOTES:

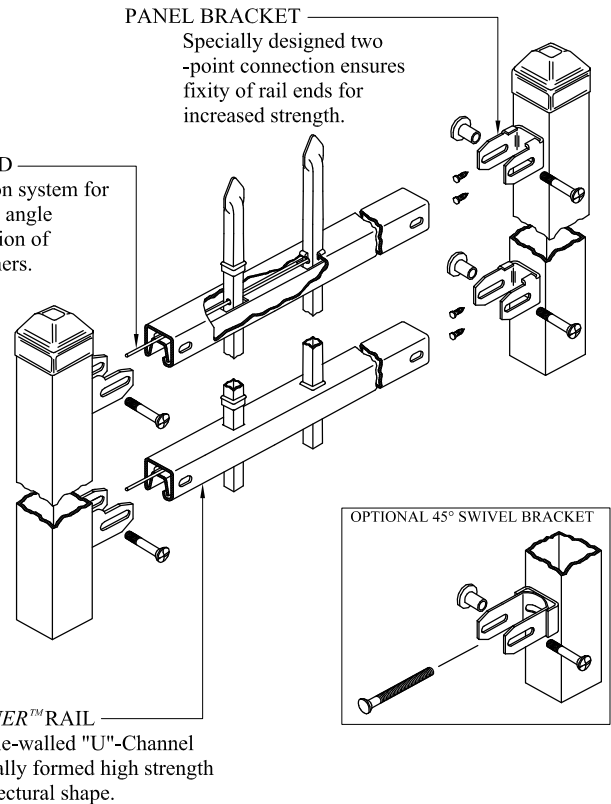
- 1.) Post size depends on fence height and wind loads. See *AEGIS II™* post sizing chart.
- 2.) Panels also available for 6' [1828.8mm] on center post spacing
- 3.) Additional heights available on request
- 4.) Third rail optional.



Uniform Zinc Coating (Hot Dip Galvanized)
 Base Material
 Uniform Zinc Coating (Hot Dip Galvanized)
 Zinc Phosphate & Conversion Coating
 Epoxy base coat
 "No-Mar" Polyester Powder finish coat

INTERNAL RETAINING ROD

Variable pitch connection system for ease of installation, high angle bias ability and elimination of unsightly external fasteners.



Values shown are nominal and not to be used for installation purposes. See product specification for installation requirements.

INDUSTRIAL STRENGTH STEEL

Title: **AEGIS II CLASSIC 2/3-RAIL**

DR: KMc	SH . 1 of 1	SCALE: DO NOT SCALE
CK:	Date 04/14/2015	REV: d



AMERISTAR®

1555 N. Mingo
 Tulsa, OK 74116
 1-888-333-3422
 www.ameristarfence.com