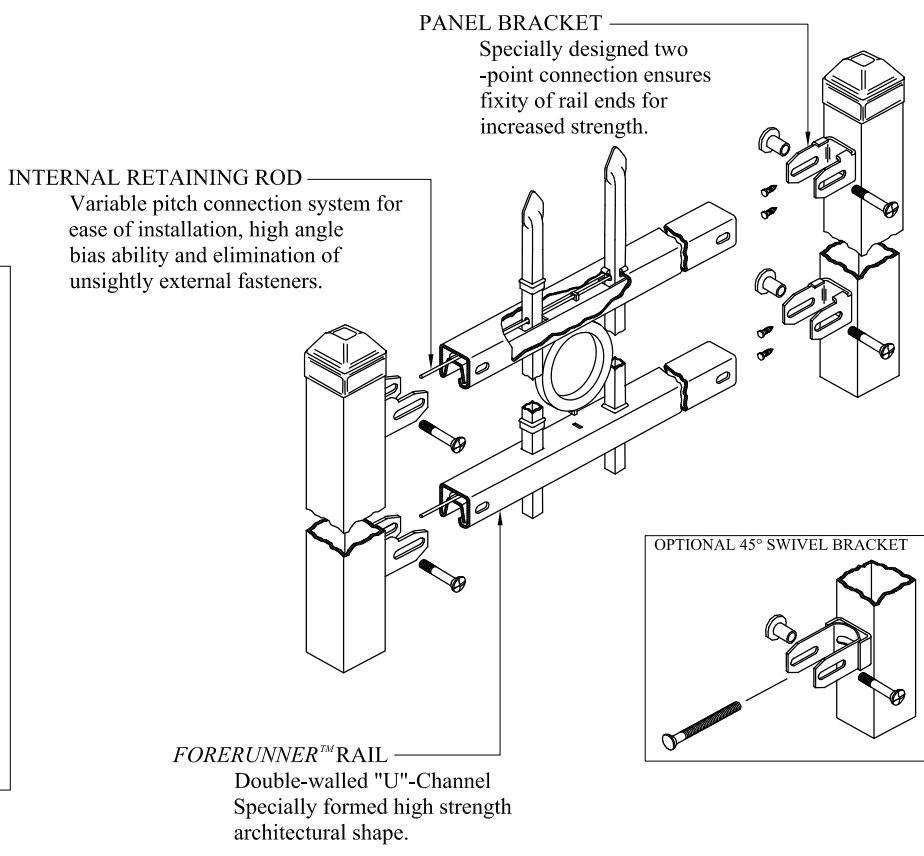
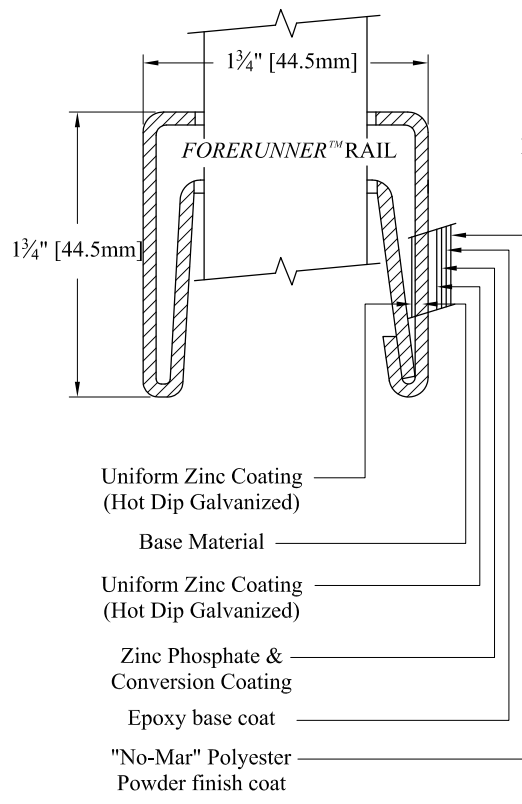


- NOTES:**
- 1.) Post size depends on fence height and wind loads. See *AEGIS II™* post sizing chart.
 - 2.) Panels also available for 6' [1828.8mm] on center post spacing
 - 3.) Additional heights available on request



INDUSTRIAL STRENGTH STEEL

Title: **AEGIS II CLASSIC 3-RAIL W/RINGS**

DR: KMc	SH . 1 of 1	SCALE: DO NOT SCALE
CK:	Date 04/16/2015	REV: D



1555 N. Mingo
 Tulsa, OK 74116
 1-888-333-3422
 www.ameristarfence.com

Values shown are nominal and not to be used for installation purposes. See product specification for installation requirements.