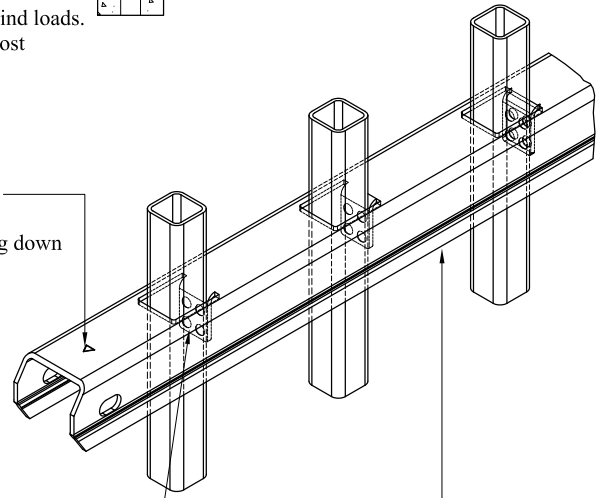


NOTES:

- 1.) Post size depends on fence height and wind loads. See *MONTAGE II*™ specifications for post sizing chart and dimensions.
- 2.) Third & Fourth rail optional.
- 3.) Available in Flush Bottom.

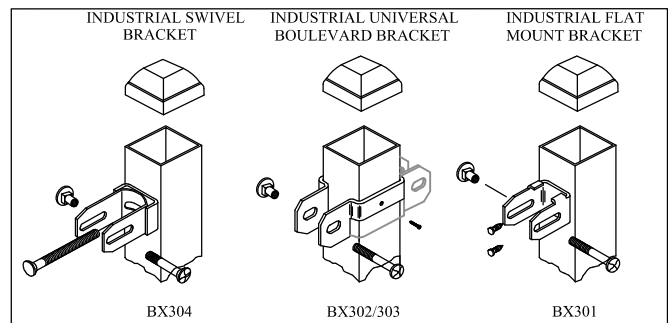
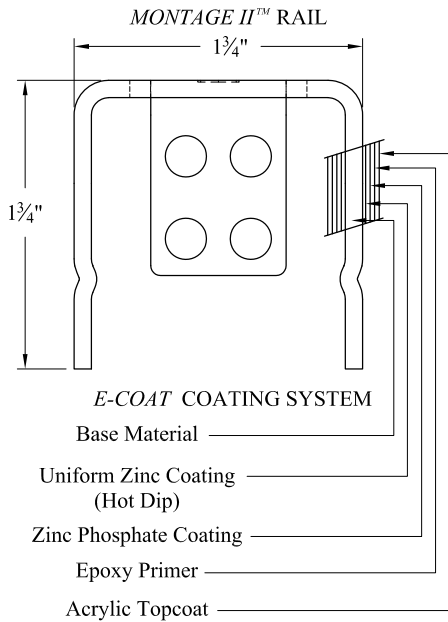
RAKING DIRECTIONAL ARROW
 Welded panel can be raked 30" over 8' with arrow pointing down grade.



PROFUSION™ WELDING PROCESS

No exposed welds,
 Good Neighbor profile - Same appearance on both sides

MONTAGE II™ RAIL
 Specially formed high strength architectural shape.



Values shown are nominal and not to be used for installation purposes. See product specification for installation requirements.

HEAVY INDUSTRIAL STRENGTH WELDED STEEL PANEL
PRE-ASSEMBLED

Title: MONTAGE II MAJESTIC 2/3/4-RAIL		
DR: RTM	SH . 1 of 1	SCALE: DO NOT SCALE
CK: ME	Date 6/28/10	REV: b



AMERISTAR®

1555 N. Mingo
 Tulsa, OK 74116
 1-888-333-3422
 www.ameristarfence.com