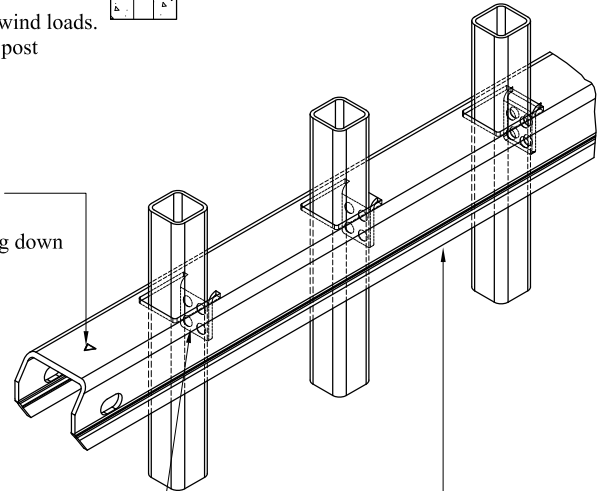


**NOTES:**

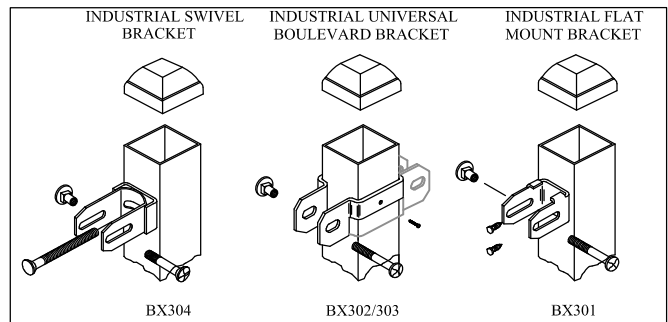
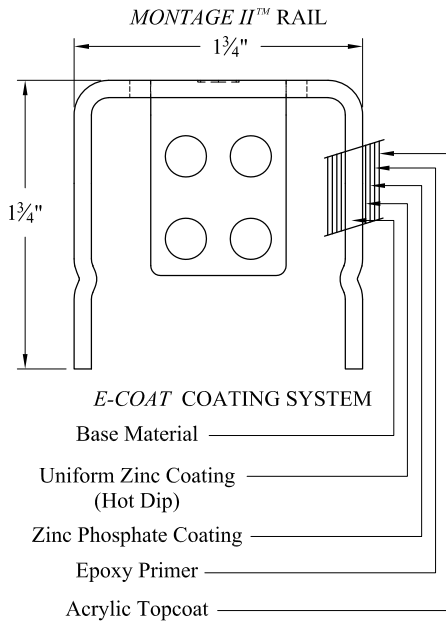
- 1.) Post size depends on fence height and wind loads. See *MONTAGE II™* specifications for post sizing chart and setting dimensions.
- 2.) Third & Fourth rail optional.
- 3.) Available in Flush Bottom.

**RAKING DIRECTIONAL ARROW**  
Welded panel can be raked 30" over 8' with arrow pointing down grade.



**PROFUSION™ WELDING PROCESS**  
No exposed welds,  
Good Neighbor profile - Same appearance on both sides

**MONTAGE II™ RAIL**  
Specially formed high strength architectural shape.



**HEAVY INDUSTRIAL STRENGTH WELDED STEEL PANEL**  
**PRE-ASSEMBLED**

Values shown are nominal and not to be used for installation purposes. See product specification for installation requirements.

2HCISO

Title: **MONTAGE II CLASSIC 2/3/4-RAIL**

DR: RTM SH . 1 of 1 SCALE: DO NOT SCALE

CK: ME Date 6/28/10 REV: b



**AMERISTAR®**

1555 N. Mingo  
Tulsa, OK 74116  
1-888-333-3422  
www.ameristarfence.com