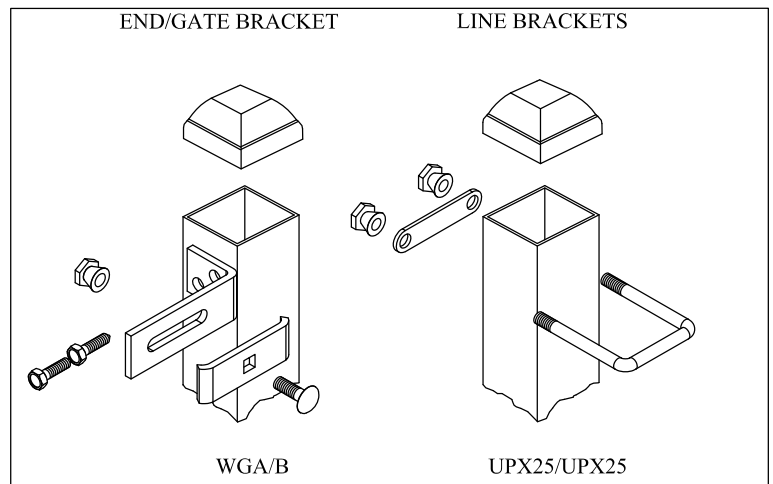
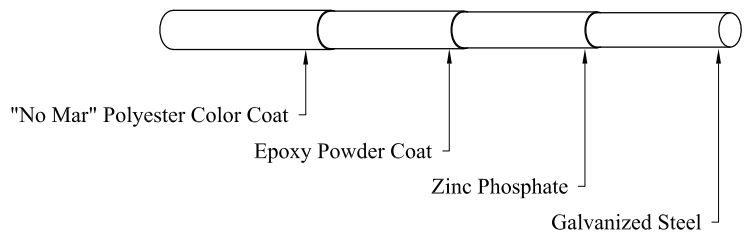
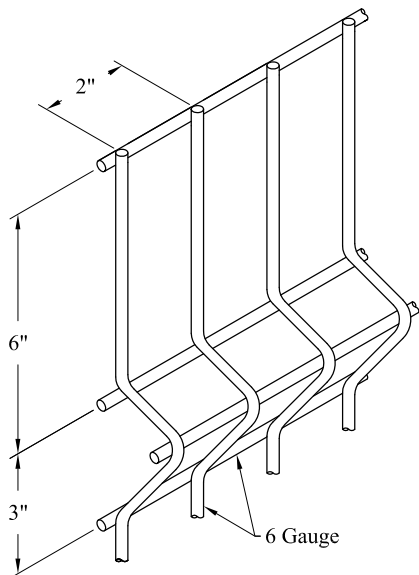


NOTES:

- 1.) Post size depends on fence height and wind loads. See *WIREWORKS PLUS™* post sizing chart.
- 2.) Number of Architectural "V" folds varies with height. 4' height (2 folds), 6' height (3 folds), and 8' height (4 folds).



Values shown are nominal and not to be used for installation purposes. See product specification for installation requirements.

Title: **WIREWORKS PLUS PANEL**

DR: CI	SH . 1 of 1	SCALE: DO NOT SCALE
CK: BS	Date 6-7-10	REV: a



AMERISTAR®

1555 N. Mingo
Tulsa, OK 74116
1-888-333-3422
www.ameristarfence.com