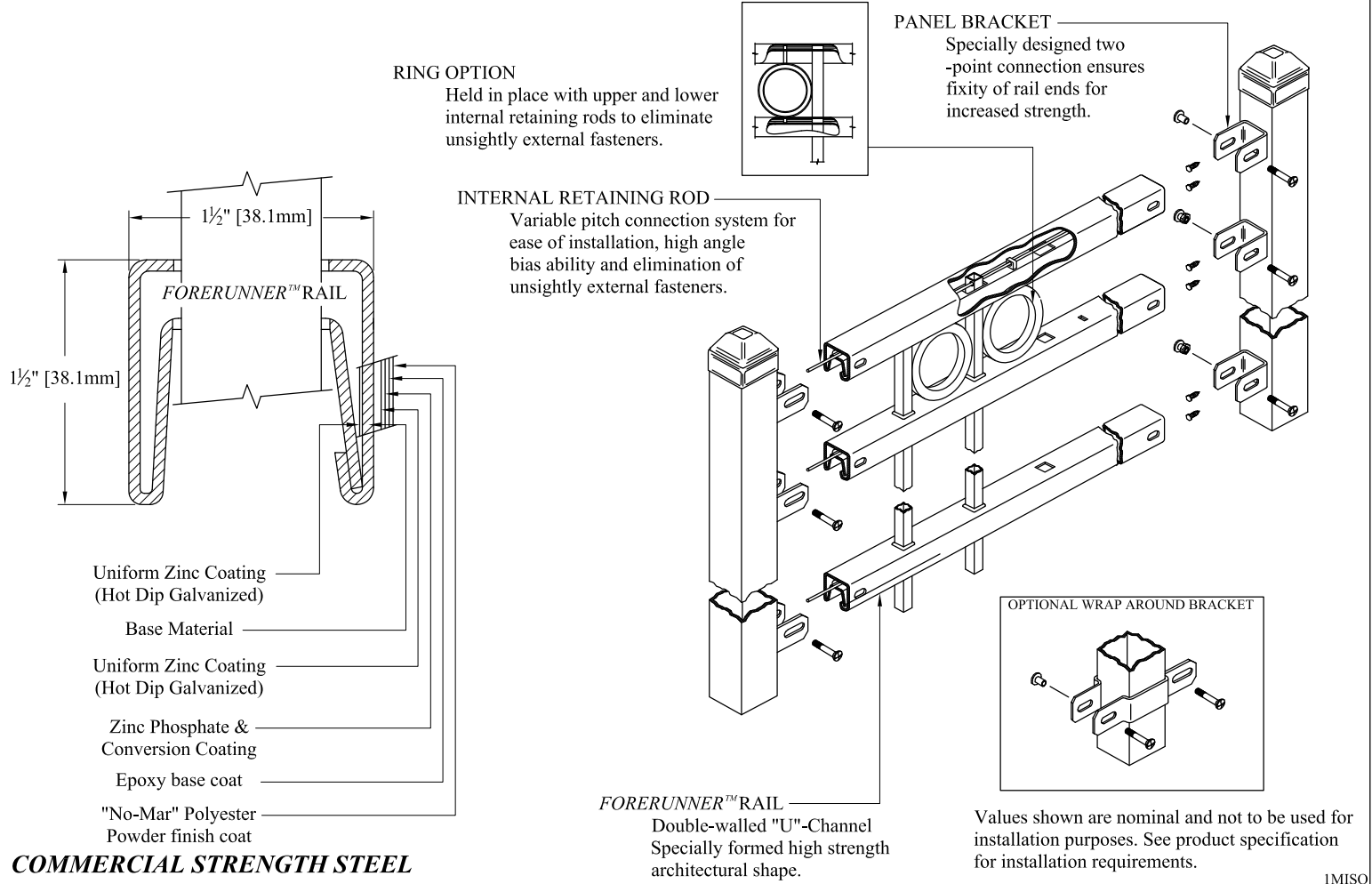


**NOTES:**

- 1.) Post size depends on fence height and wind loads. See AEGIS Plus™ post sizing chart.
- 2.) Panels also available for 6' on center post spacing
- 3.) Additional heights available on request
- 4.) Third rail optional (Required with rings, See Detail).



**COMMERCIAL STRENGTH STEEL**

Title: **AEGIS PLUS MAJESTIC 2/3-RAIL W/RING OPTION**

DR: KMc	SH . 1 of 1	SCALE: DO NOT SCALE
CK:	Date 6/20/10	REV: F



**AMERISTAR®**

1555 N. Mingo  
Tulsa, OK 74116  
1-888-333-3422  
www.ameristarfence.com