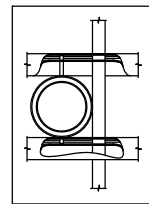


NOTES:

- 1.) Post size depends on fence height and wind loads. See AEGIS Plus™ post sizing chart.
- 2.) Panels also available for 6' on center post spacing
- 3.) Additional heights available on request
- 4.) Third rail optional (Required with rings, See Detail).

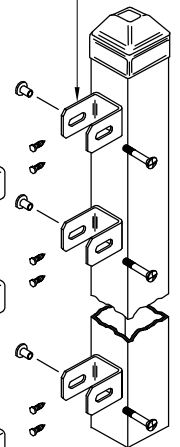
RING OPTION

Held in place with upper and lower internal retaining rods to eliminate unsightly external fasteners.



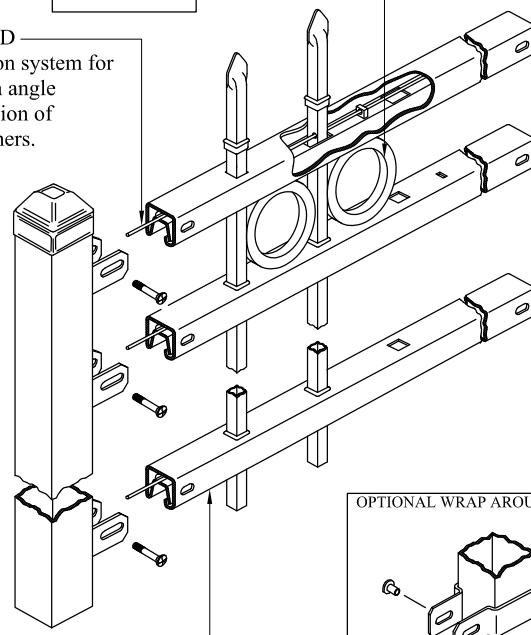
PANEL BRACKET

Specially designed two-point connection ensures fixity of rail ends for increased strength.



INTERNAL RETAINING ROD

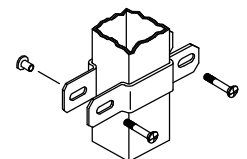
Variable pitch connection system for ease of installation, high angle bias ability and elimination of unsightly external fasteners.



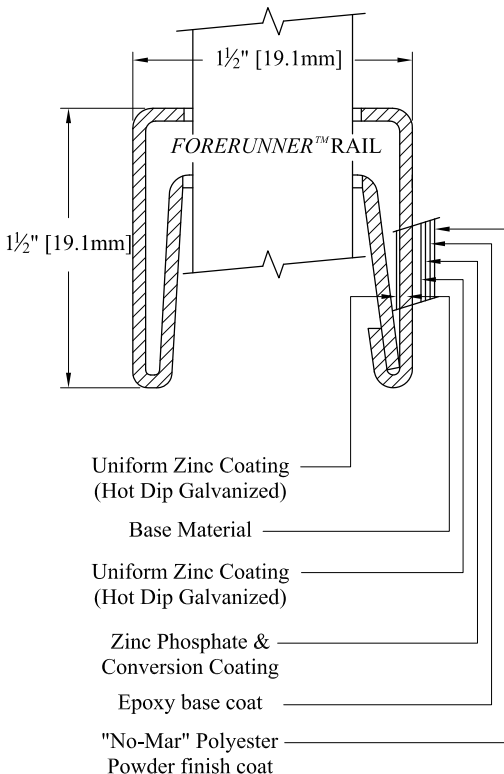
FORERUNNER™ RAIL

Double-walled "U"-Channel Specially formed high strength architectural shape.

OPTIONAL WRAP AROUND BRACKET



Values shown are nominal and not to be used for installation purposes. See product specification for installation requirements.



COMMERCIAL STRENGTH STEEL

Title: **AEGIS PLUS CLASSIC 2/3-RAIL W/RING OPTION**

DR: KMc	SH . 1 of 1	SCALE: DO NOT SCALE
CK:	Date 04/20/2015	REV: F



AMERISTAR®

1555 N. Mingo
 Tulsa, OK 74116
 1-888-333-3422
 www.ameristarfence.com