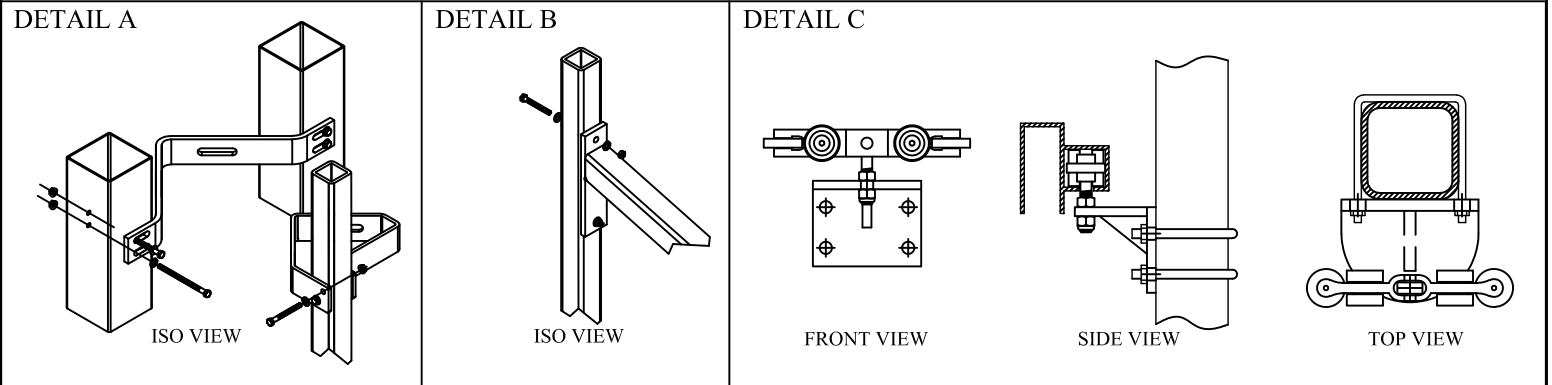


Values shown are nominal and not to be used for installation purposes. See product specification for installation requirements.



**CHAIN LINK CANTILEVER GATE SPECIFICATION SUMMARY**

U.S.A. PATENT NO. 5,136,813

Material: Aluminum (ASTM B221 - 6005-T5)

Track: Proprietary Fast-Trak Extruded Shape



Uprights and Diagonal Braces: 2" Square

Cantilever Gate Hardware: Kit # TGKCD

Ameristar's TransPort Ornamental Cantilever Gates are designed to be mounted on posts that are off-set from the fence line. By off-setting the gate posts, the gate will pass between the fence and the mounting posts, keeping it from falling in the event of a track or hardware failure (a requirement of ASTM F2200).

CTXISO

Title: <b>TRANSPORT LINK CANTILEVER GATE</b>		
DR: CI	SH . 1 of 1	SCALE: DO NOT SCALE
CK: PB	Date 6/28/10	REV: C



**AMERISTAR<sup>®</sup>**

1555 N. Mingo  
Tulsa, OK 74116  
1-888-333-3422  
www.ameristarfence.com