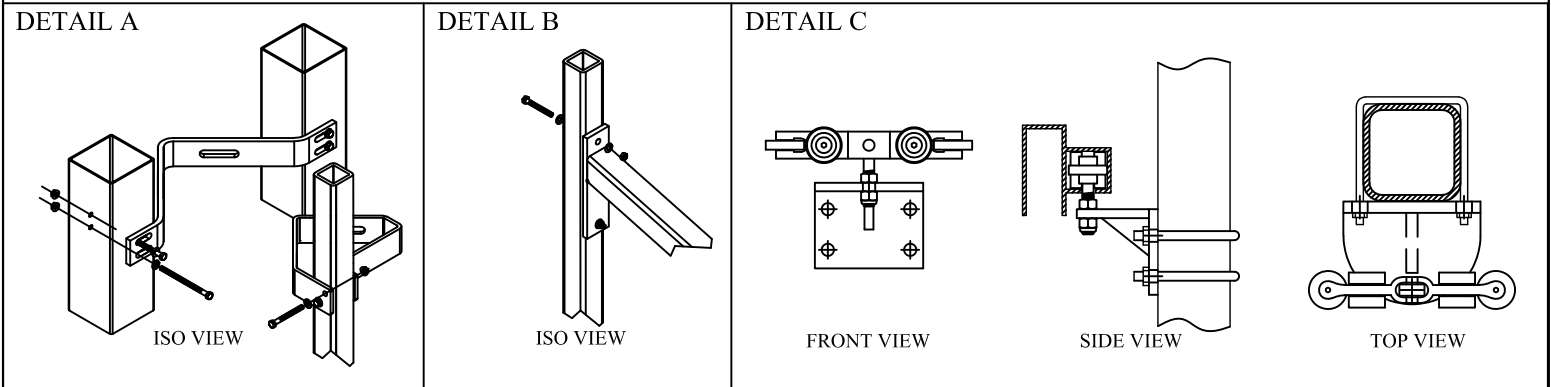


Values shown are nominal and not to be used for installation purposes. See product specification for installation requirements.



CHAIN LINK CANTILEVER GATE SPECIFICATION SUMMARY

U.S.A. PATENT NO. 5,136,813

Material: Aluminum (ASTM B221 - 6005-T5)

Track: Proprietary Fast-Trak Extruded Shape



Uprights and Diagonal Braces: 2" Square

Cantilever Gate Hardware: Kit # TGKCD

Ameristar's TransPort Ornamental Cantilever Gates are designed to be mounted on posts that are off-set from the fence line. By off-setting the gate posts, the gate will pass between the fence and the mounting posts, keeping it from falling in the event of a track or hardware failure (a requirement of ASTM F2200).

CTBISO

Title: **TRANSPORT LINK CANTILEVER GATE BARB**

DR: CI SH . 1 of 1 SCALE: DO NOT SCALE

CK: PB Date 6/28/10 REV: C



AMERISTAR®

1555 N. Mingo
Tulsa, OK 74116
1-888-333-3422
www.ameristarfence.com