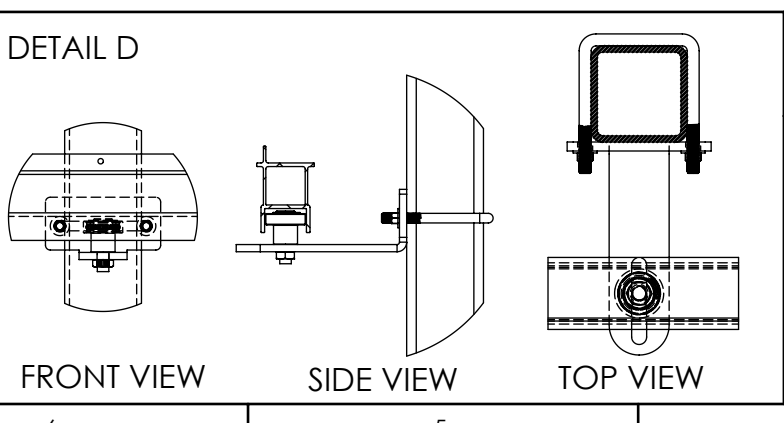
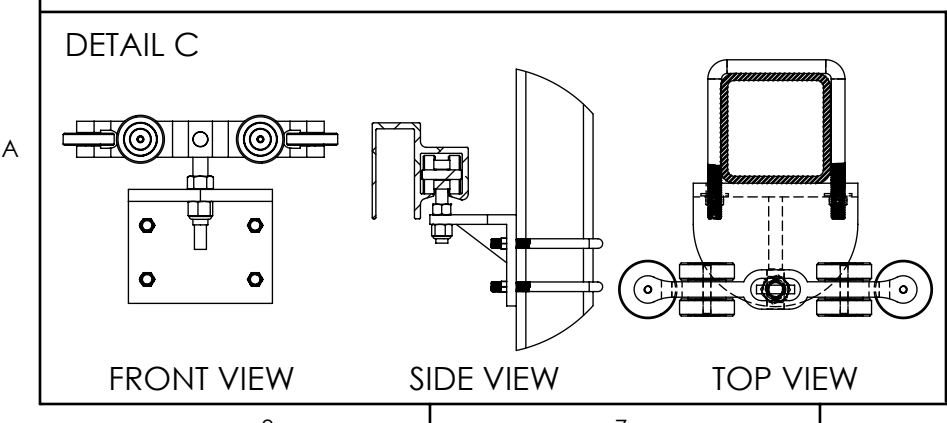
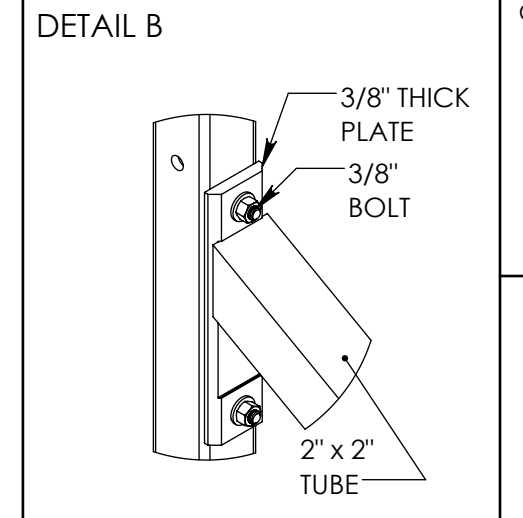
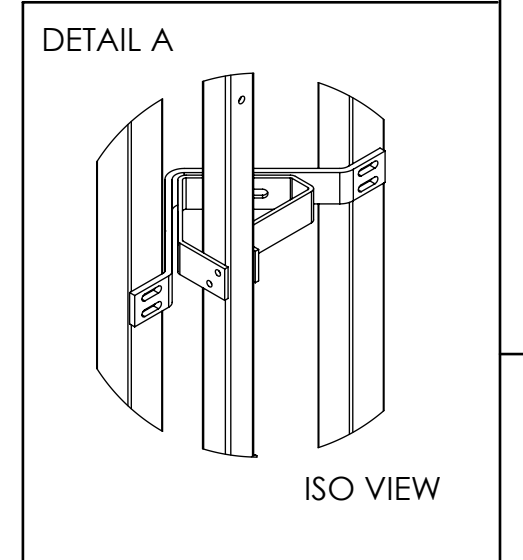


REV	DESCRIPTION	DATE	ENGINEER



TransPort cantilever gates are designed to meet all requirements of ASTM F2200. Safety mesh supplied but not shown for clarity.

NOTICE TO PERSONS RECEIVING THIS DRAWING AND/OR TECHNICAL INFORMATION
 Ameristar Perimeter Security USA Inc claims propriety rights to the material disclosed hereon. This drawing and/or technical information is issued in confidence for engineering information only and may not be reproduced or used to manufacture anything shown or referred to hereon without direct written permission from Ameristar Perimeter Security USA Inc to the user. This drawing and/or technical information is the property of Ameristar Perimeter Security USA Inc and is loaned for mutual assistance to be returned when its purpose has been served.

UNLESS OTHERWISE SPECIFIED TOLERANCES
 X.X ± .06
 X.XX ± .03
 X.XXX ± .02
 ANGLES ± 0.5°
 FRACTIONS ± 1/8
 SURFACE FINISH 63

DRAWING COMPLIES WITH ASME Y14.5M - 1994

INCH
 MM

THIRD ANGLE PROJECTION

ASSA ABLOY
 Ameristar Perimeter Security USA Inc
 Tulsa

TRANSPORT II CANTILEVER GATE 6'-24'		
DATE CREATED 7/20/2018	DRAWN BY nathan	DESIGNED BY nathan
DOCUMENT ID	SCALE 1:25	SIZE B
DRAWING NUMBER (ALT ID) TRANSPORT II 6ft-24ft MAJESTIC		