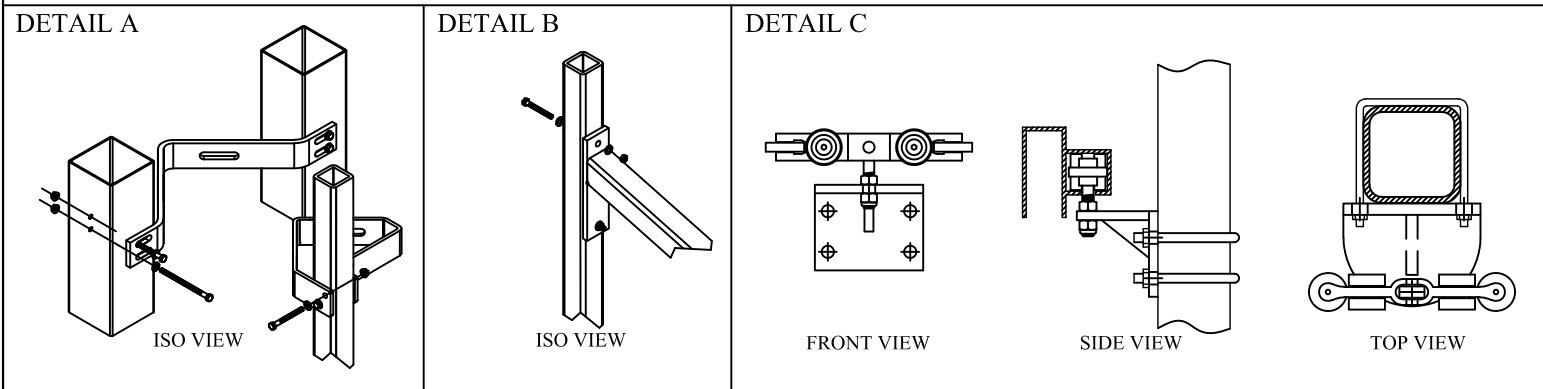


Values shown are nominal and not to be used for installation purposes. See product specification for installation requirements.



TRANSPORT II CANTILEVER GATE SPECIFICATION SUMMARY

U.S.A. PATENT NO. 5,136,813
 Material: Aluminum (ASTM B221 - 6005-T5)
 Track: Proprietary Fast-Trak Extruded Shape



Uprights and Diagonal Braces: 2" Square
 Ornamental Pickets: 1" Square
 Cantilever Gate Hardware: Kit # TGKOD

Ameristar's TransPort Ornamental Cantilever Gates are designed to be mounted on posts that are off-set from the fence line. By off-setting the gate posts, the gate will pass between the fence and the mounting posts, keeping it from falling in the event of a track or hardware failure (a requirement of ASTM F2200).

2TCISO

Title: TRANSPORT II CANTILEVER GATE			
DR: CI	SH . 1 of 1	SCALE: DO NOT SCALE	
CK: PB	Date 6/28/10	REV: C	



AMERISTAR®

1555 N. Mingo
 Tulsa, OK 74116
 1-888-333-3422
 www.ameristarfence.com