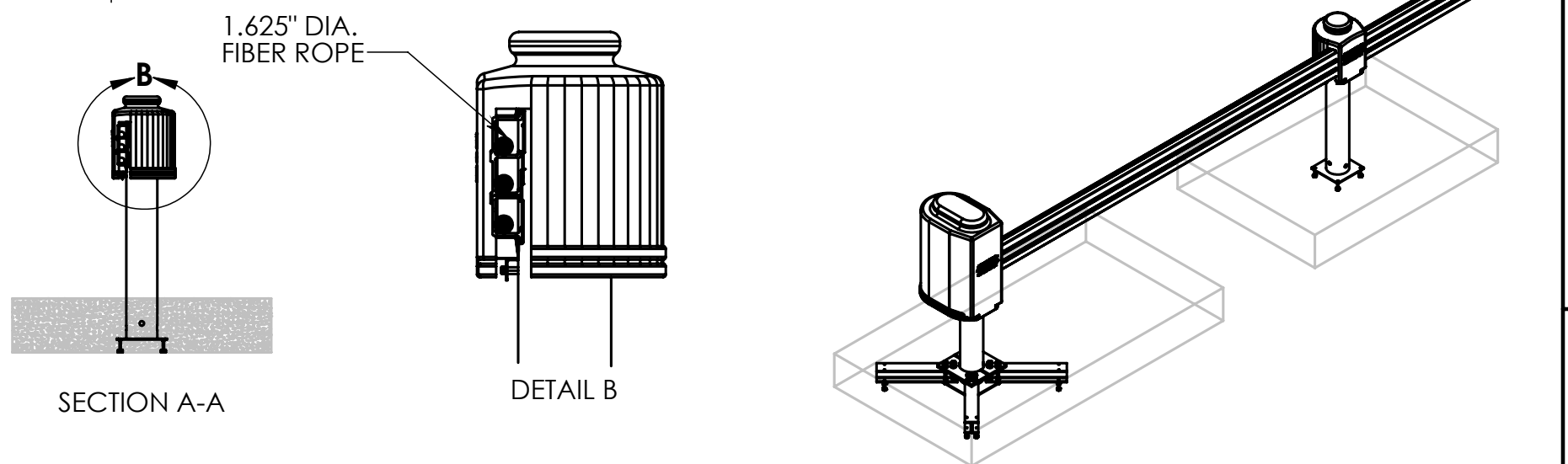
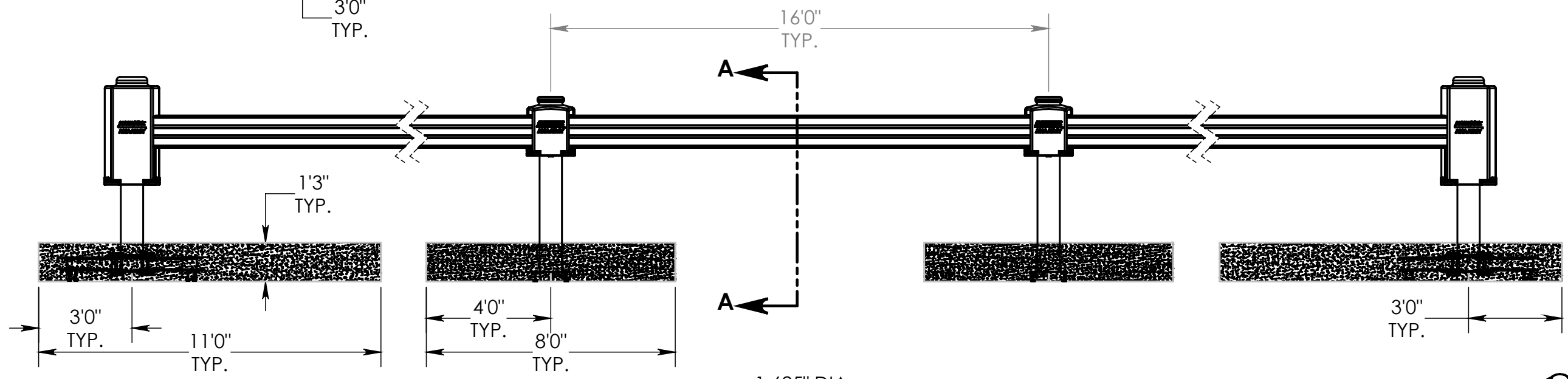


REV	DESCRIPTION	DATE	ENGINEER
-----	-------------	------	----------



- NOTES:
1. STALWART OPTIMA IS A M30/P1 CONTINUOUS BARRIER SYSTEM OF ANY LENGTH INSTALLED WITH POST SPACED AT 16 FEET ON CENTER.
  2. REFER TO REBAR INSTALLATION DRAWINGS FOR CONCRETE FOOTINGS REINFORCEMENT LAYOUT.
  3. WHEN SYSTEM EXCEEDS CHANGE IN DIRECTION GREATER THAN 15 DEGREES, CORNER POSTS SHALL BE INSTALLED.

<p><b>NOTICE TO PERSONS RECEIVING THIS DRAWING AND/OR TECHNICAL INFORMATION</b>                  Ameristar Perimeter Security USA Inc claims proprietary rights to the material disclosed herein. This drawing and/or technical information is issued in confidence for engineering information only and may not be reproduced or used to manufacture anything shown or referred to herein without direct written permission from Ameristar Perimeter Security USA Inc to the user. This drawing and/or technical information is the property of Ameristar Perimeter Security USA Inc and is loaned for mutual assistance to be returned when its purpose has been served.</p>	<p>UNLESS OTHERWISE SPECIFIED TOLERANCES</p> <p>X.X ± .06                  X.XX ± .03                  X.XXX ± .02                  ANGLES ± 0.5°                  FRACTIONS ± 1/8                  SURFACE FINISH 63/</p>	<p>DRAWING COMPLIES WITH ASME Y14.5M - 1994</p> <p>INCH                  MM</p>	<p>MATERIAL SEE BOM</p>	<p><b>STALWART OPTIMA ARCH SPEC</b></p>	
	<p>THIRD ANGLE PROJECTION</p>	<p>HEAT TREATMENT</p>	<p>DATE CREATED 9/20/2018</p>	<p>DRAWN BY robnic</p>	<p>DESIGNED BY robnic</p>
	<p><b>ASSA ABLOY</b>                  Ameristar Perimeter Security USA Inc                  Tulsa</p>	<p>SURFACE/FINISH</p>	<p>DOCUMENT ID</p>	<p>SCALE 1:45</p>	<p>SIZE B</p>
	<p>MASS N/A lb</p>	<p>VOLUME N/A in<sup>3</sup></p>	<p>SURFACE AREA N/A in<sup>2</sup></p>	<p>DRAWING NUMBER (ALT ID)  <b>STALWART OPTIMA ARCH SPEC</b></p>	