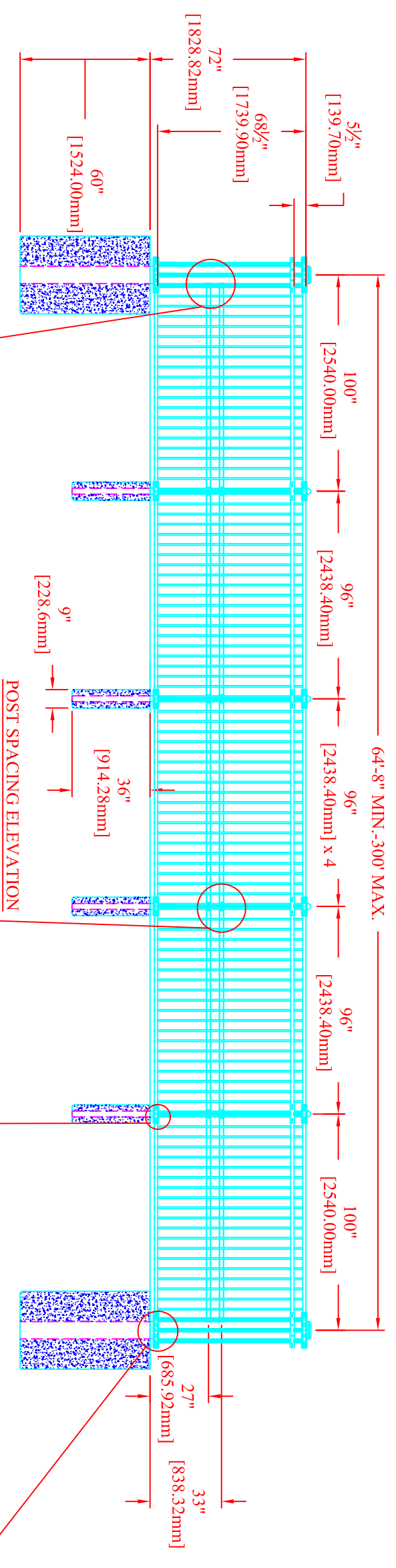


CABLE RUN ELEVATION

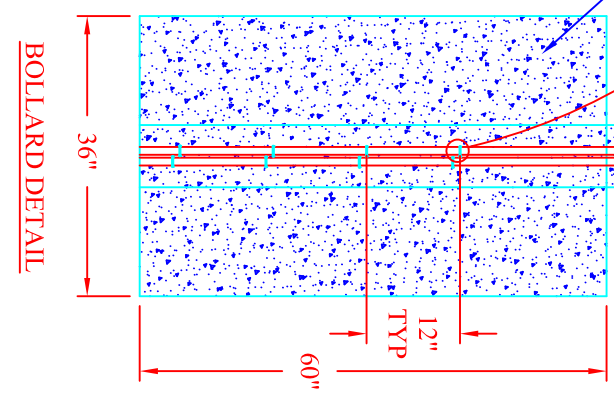
THE PU30-P2 SYSTEMS HAVE BEEN ENGINEERED TO COMPLY WITH THE IMPACT CONDITIONS AND PENETRATION DISTANCES SPECIFIED IN THE ASTM F2656 CLASSIFICATIONS.



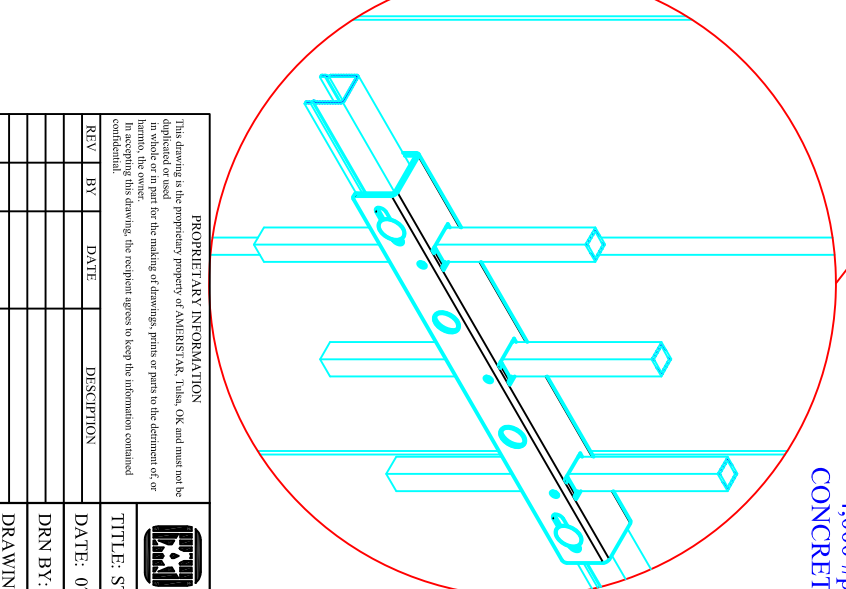
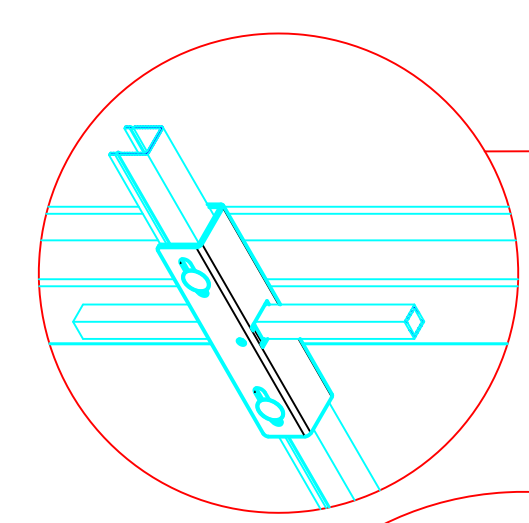
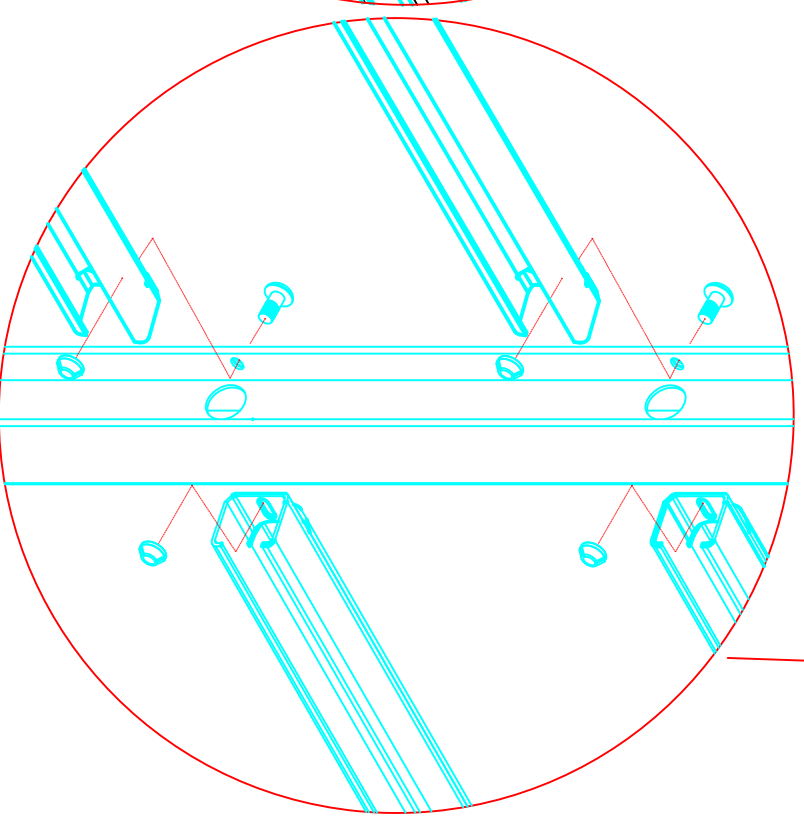
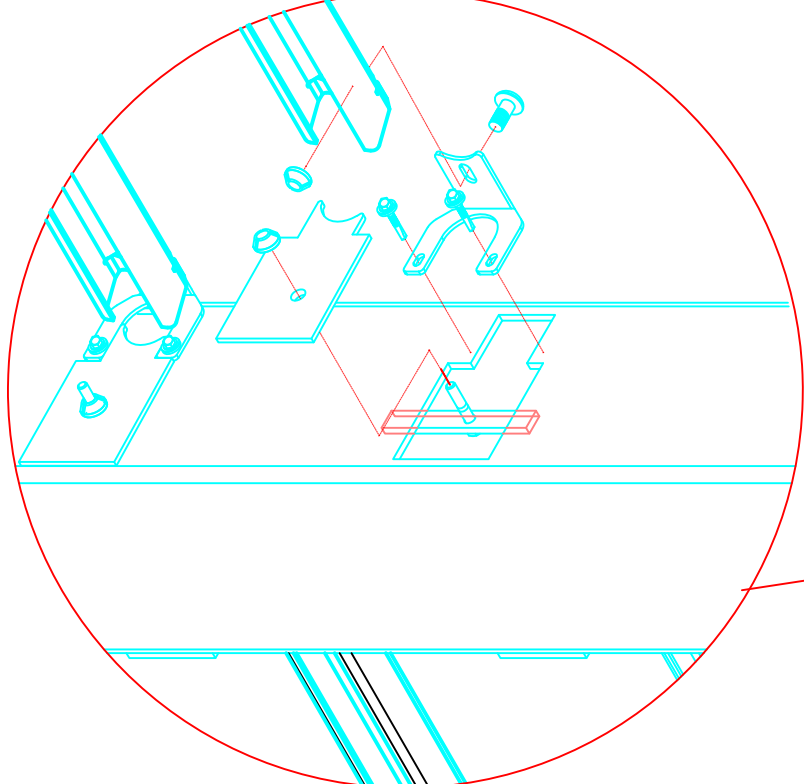
POST SPACING ELEVATION

4,000 #psi CONCRETE

FILL WITH 4,000 #psi CONCRETE (AFTER CABLES AND FASTENERS ARE INSTALLED)



BOLLARD DETAIL



PROPRIETARY INFORMATION

This drawing is the proprietary property of AMERISTAR, Tulsa, OK, and must not be duplicated or used in whole or in part for the making of drawings, prints or parts to the detriment of, or without the express written consent of, AMERISTAR. The user of this drawing, by its use, agrees to keep the information contained herein confidential.



1555 N. Mingo
Tulsa, OK 74116
1-888-333-3422
www.ameristarforce.com

REV	BY	DATE	DISCRIPTION	SHEET:	I/1
	DRN BY: KMc	DATE: 07/31/2017	SCALE: DNS	CHK BY:	REV: A
TITLE: STALWART PU30-P2 MONTAGE PLUS MAJESTIC			DRAWING NO: 98-0143		