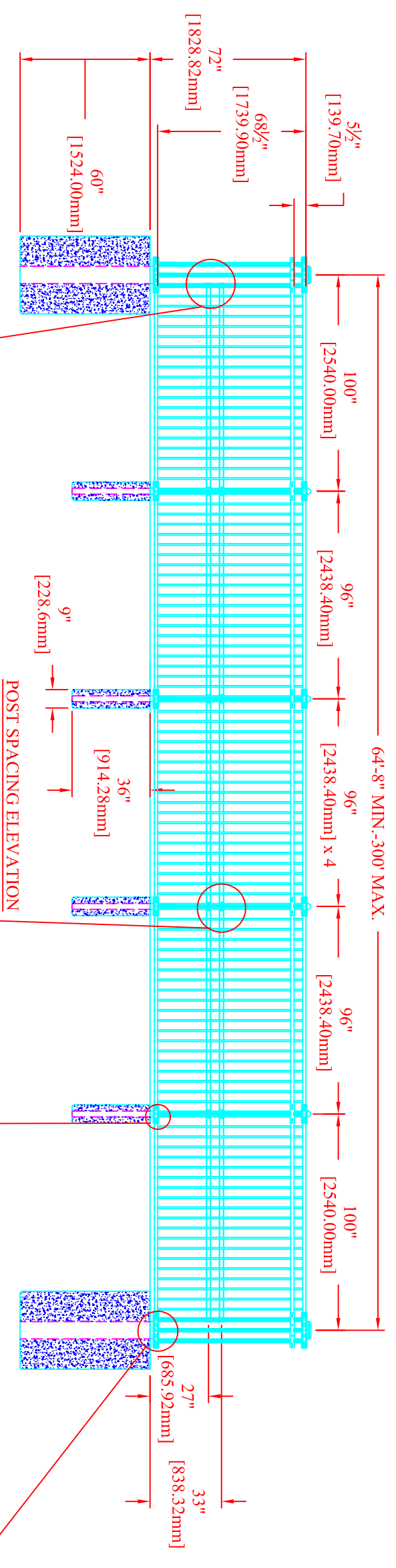
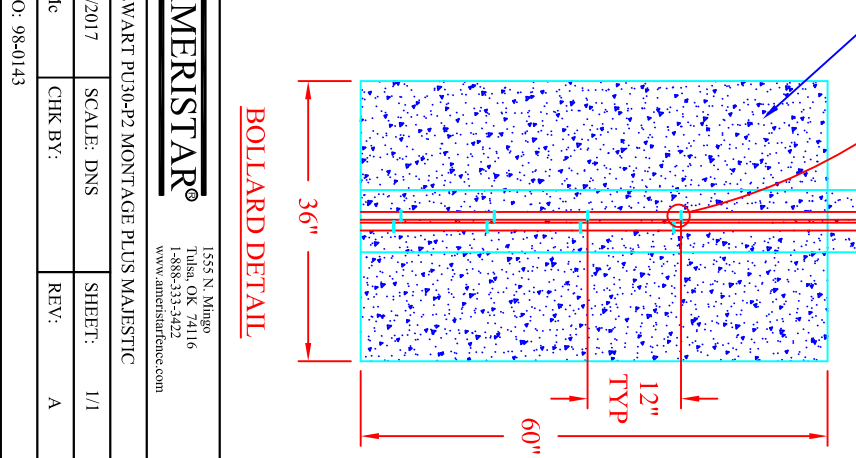
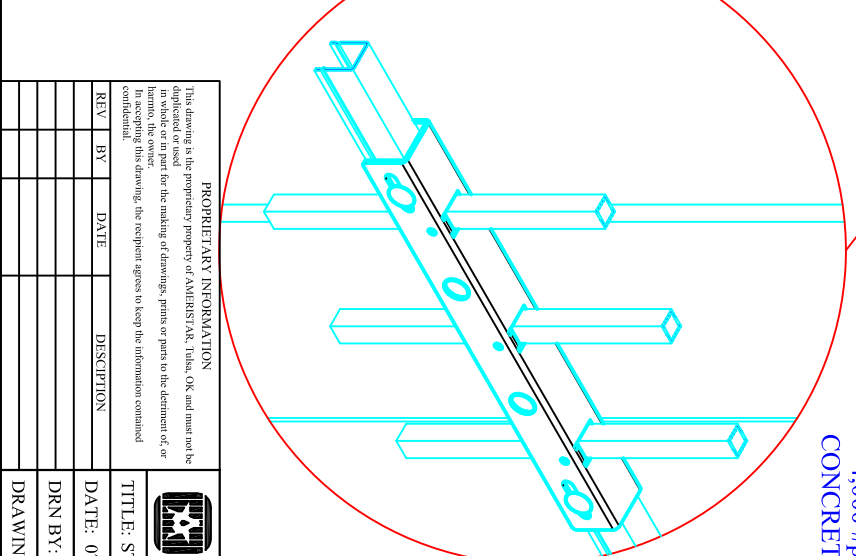
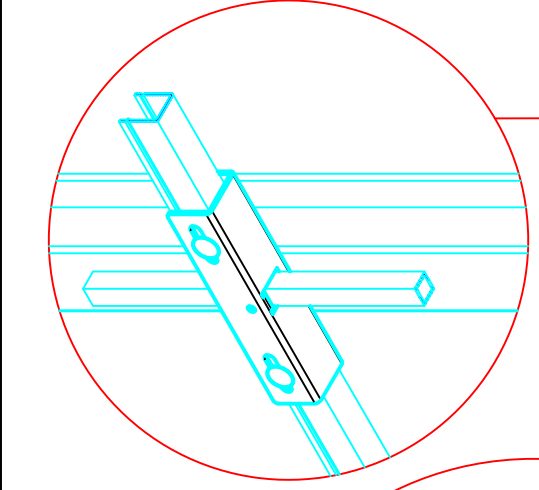
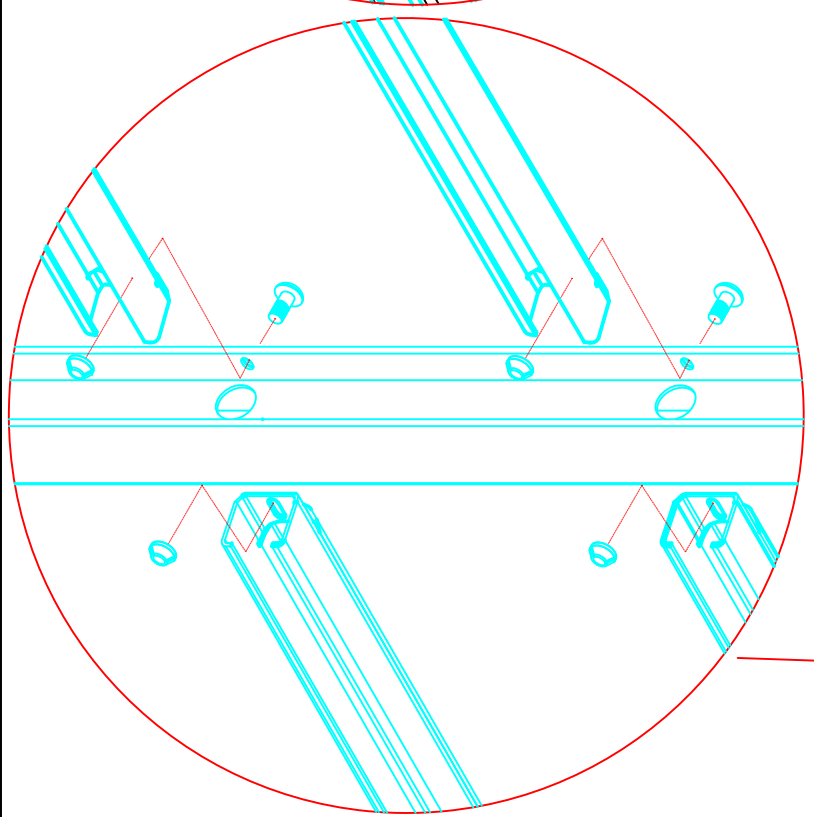
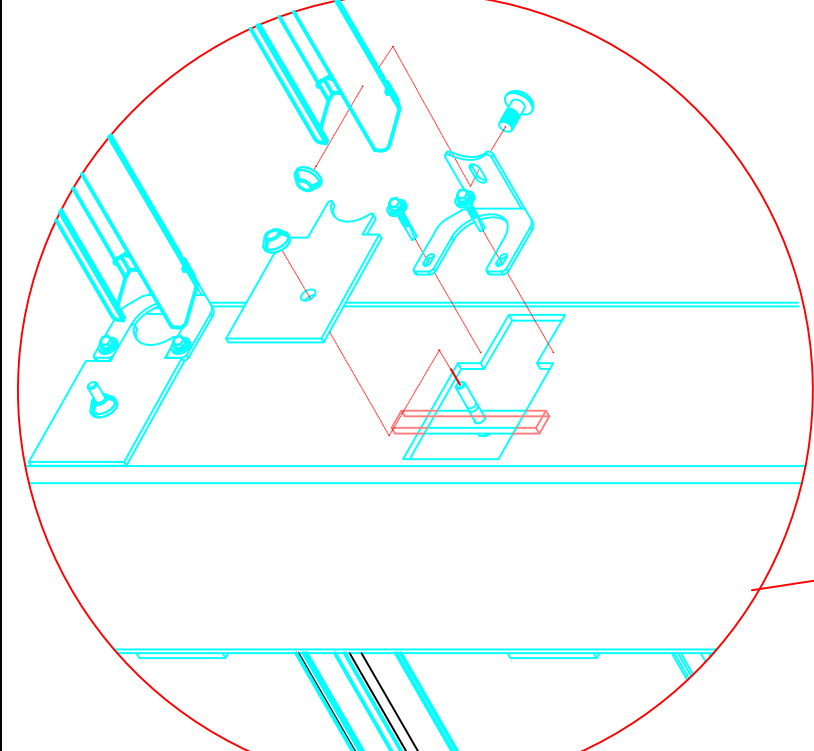


CABLE RUN ELEVATION

THE PU30-P2 SYSTEMS HAVE BEEN ENGINEERED TO COMPLY WITH THE IMPACT CONDITIONS AND PENETRATION DISTANCES SPECIFIED IN THE ASTM F2656 CLASSIFICATIONS.



POST SPACING ELEVATION



BOLLARD DETAIL

4,000 #psi CONCRETE

FILL WITH 4,000 #psi CONCRETE (AFTER CABLES AND FASTENERS ARE INSTALLED)

PROPRIETARY INFORMATION
This drawing is the proprietary property of AMERISTAR, Tulsa, OK, and must not be duplicated or used in whole or in part for the making of drawings, prints or parts to the detriment of, or without the express written consent of, AMERISTAR. The user warrants that the recipient agrees to keep the information contained herein confidential.

1555 N. Mingo
Tulsa, OK 74116
1-888-333-3422
www.ameristarforce.com

AMERISTAR®

TITLE: STALWART PU30-P2 MONTAGE PLUS MAJESTIC

REV	BY	DATE	DISCRIPTION	SCALE:	SHEET:
	DRN BY: KMc	07/31/2017	DNS		1/1
	CHK BY:				A

DRAWING NO: 98-0143