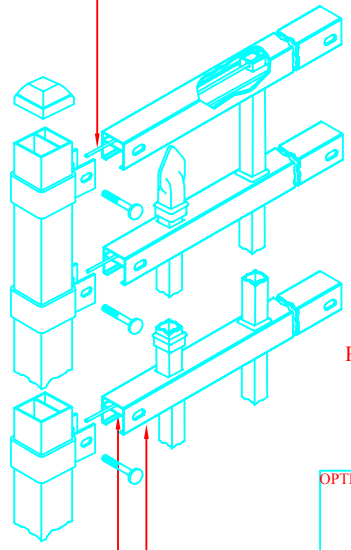
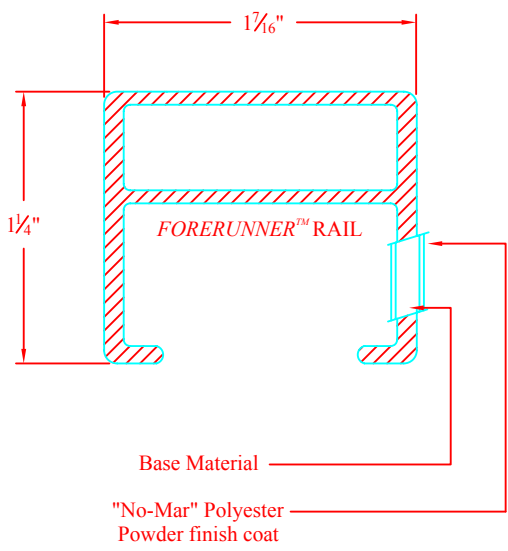


NOTES:

- 1.) Post size depends on fence height and wind loads. See ECHELON Plus post sizing chart.
- 2.) Panels also available for 6' on center post spacing
- 3.) Additional heights available on request
- 4.) Fourth rail optional.

PANEL BRACKET
Specially designed two-point connection ensures fixity of rail ends for increased strength.

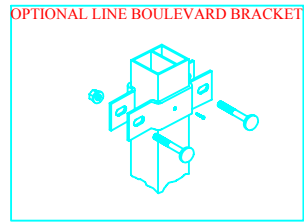
INTERNAL RETAINING ROD
Variable pitch connection system for ease of installation, high angle bias ability and elimination of unsightly external fasteners.



REINFORCED POST
Internal rib increases against wind loading as well as other horizontally applied forces (Only on 2 1/2" aluminum posts).

INTERIOR GUIDE CHANNEL
Channel forms lower limit of raceway for retaining rod and allows for high angle bias ability.

FORERUNNER™ RAIL
"U"-Channel specially formed high strength architectural shape.



Values shown are nominal and not to be used for installation purposes. See product specification for installation requirements.

COMMERCIAL STRENGTH ALUMINUM

Title: ECHELON PLUS CONQUEROR 3/4-RAIL			
DR: JAS	SH. 1 of 1	SCALE: DO NOT SCALE	
CK: BS	Date 05/02/12	REV: e	



1555 N. Mingo
Tulsa, OK 74116
1-888-333-3422
www.ameristarfence.com