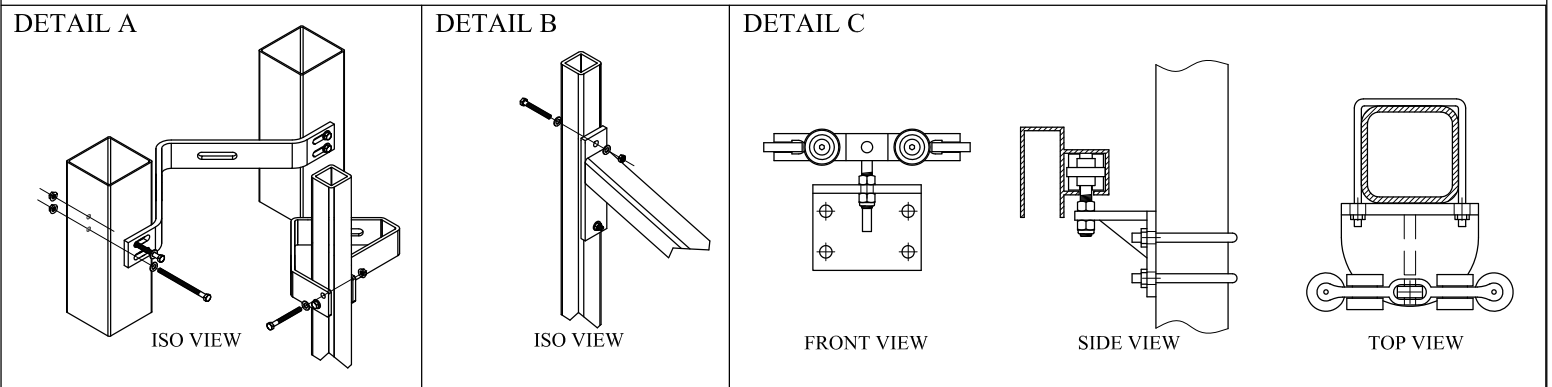


Values shown are nominal and not to be used for installation purposes. See product specification for installation requirements.



**TRANSPORT II CANTILEVER GATE SPECIFICATION SUMMARY**

U.S.A. PATENT NO. 5,136,813  
 Material: Aluminum (ASTM B221 - 6005-T5)  
 Track: Proprietary Fast-Trak Extruded Shape



Uprights and Diagonal Braces: 2" Square x 1/4"  
 Security Pales: Proprietary Corrugated Impasse<sup>®</sup> Shape x 1/8" Thick.  
 Cantilever Gate Hardware: Kit # TGKOD

Ameristar's TransPort Ornamental Cantilever Gates are designed to be mounted on posts that are off-set from the fence line. By off-setting the gate posts, the gate will pass between the fence and the mounting posts, keeping it from falling in the event of a track or hardware failure (a requirement of ASTM F2200).

3TTISO

Title: **TRANSPORT IS TRIDENT CANTILEVER GATE**

DR: CI SH . 1 of 1 SCALE: DO NOT SCALE

CK: PB Date 6/28/10 REV: b



**AMERISTAR<sup>®</sup>**

1555 N. Mingo  
 Tulsa, OK 74116  
 1-888-333-3422  
 www.ameristarfence.com