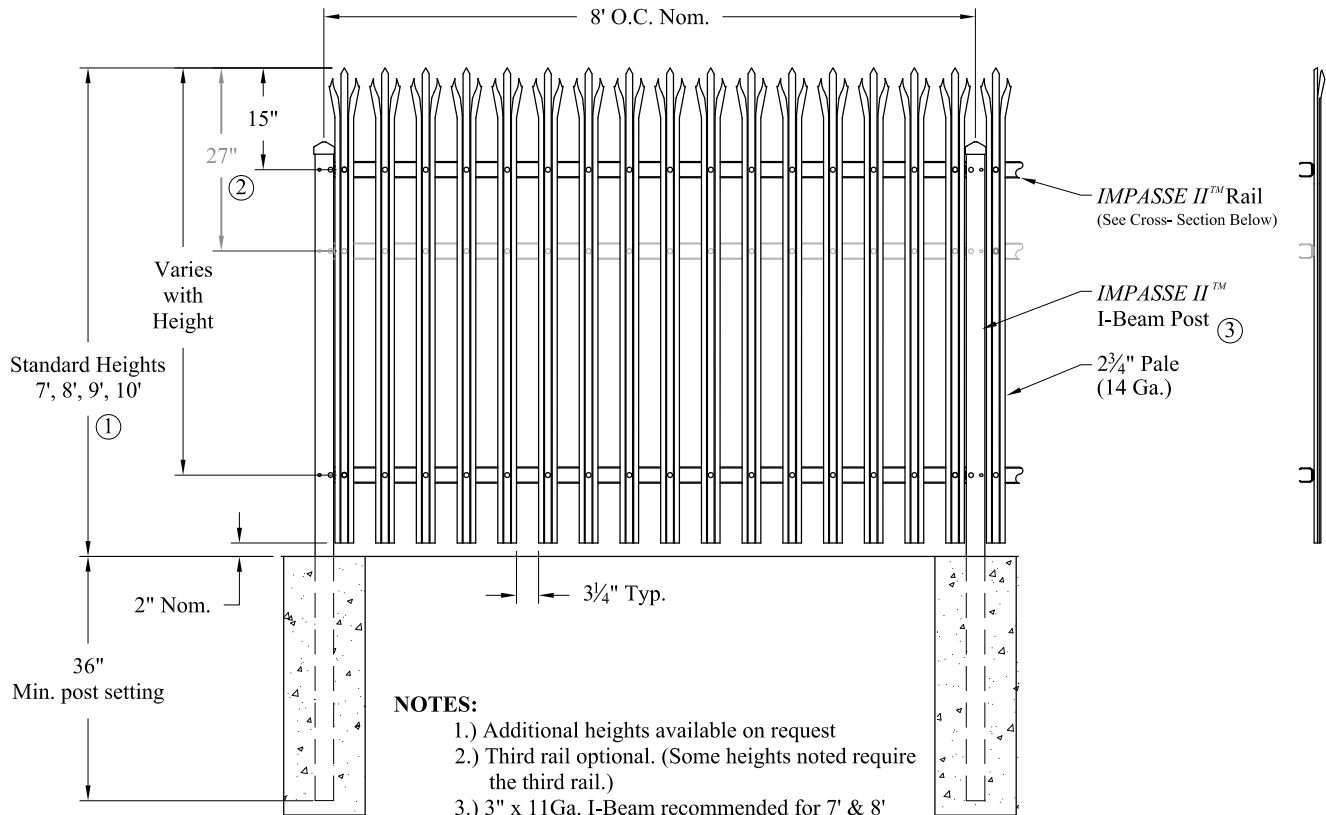
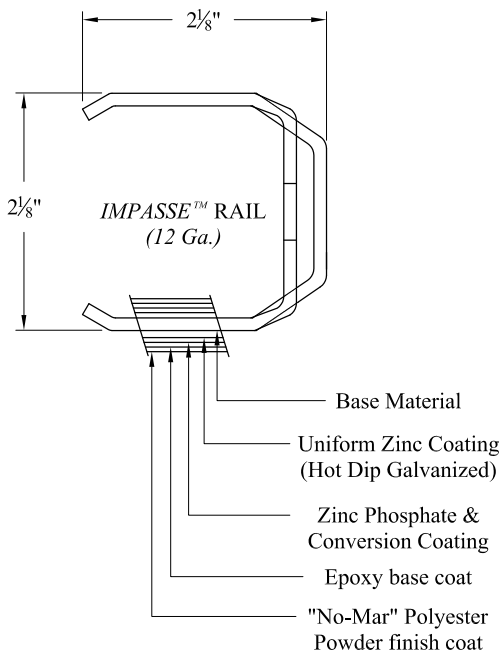


Values shown are nominal and not to be used for installation purposes. See product specification for installation requirements.



NOTES:

- 1.) Additional heights available on request
- 2.) Third rail optional. (Some heights noted require the third rail.)
- 3.) 3" x 11Ga. I-Beam recommended for 7' & 8' heights. 4" x 11Ga. I-Beam recommended for 9' & 10' heights.

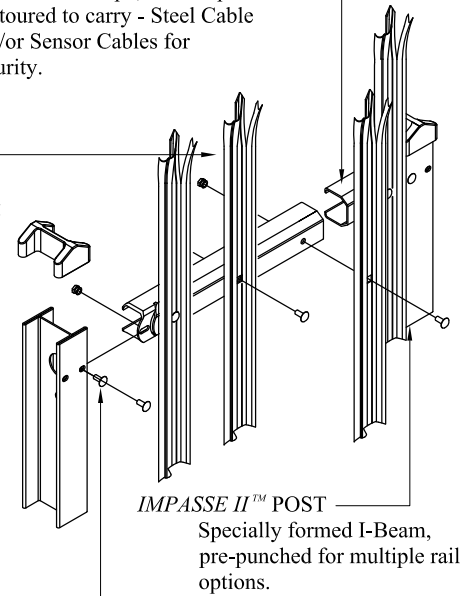


IMPASSE II™ RAIL

Specially formed high strength architectural shape; lower lip contoured to carry - Steel Cable and/or Sensor Cables for security.

IMPASSE II™ PALE

Specially formed high strength corrugated shape; resists prying or bending; bolt holes recessed to prevent chiselling of bolt head.



SECURITY FASTENER

Stainless steel security nut prevents tampering or removal by normal tools.

HIGH SECURITY STEEL FENCE

Title: **IMPASSE II TRIDENT 2/3-RAIL**

DR: CI SH . 1 of 1 SCALE: DO NOT SCALE

CK: BS Date 11/4/11 REV: a



AMERISTAR®

1555 N. Mingo
Tulsa, OK 74116
1-888-333-3422
www.ameristarfence.com