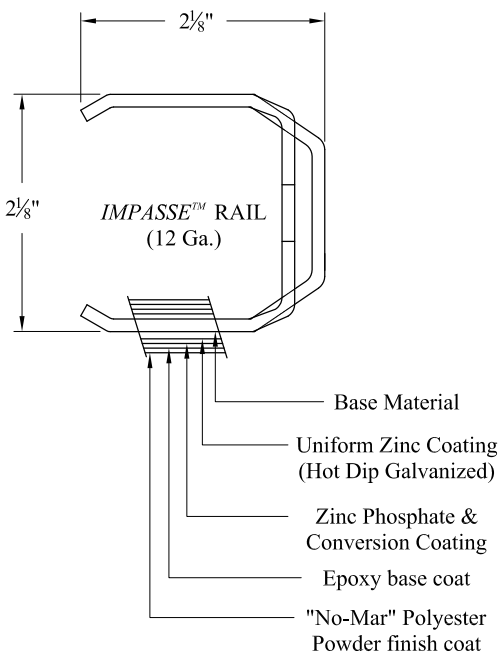
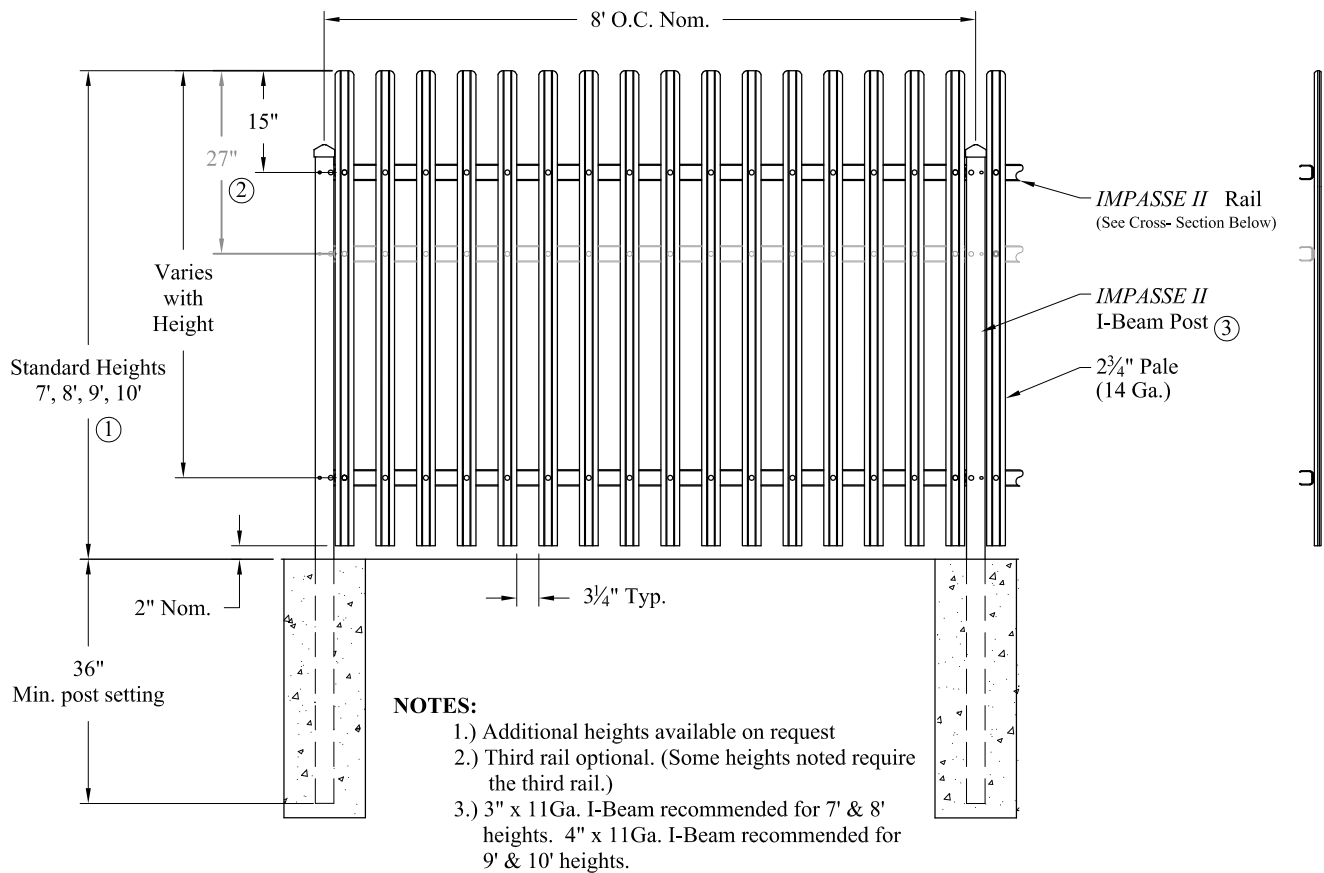


Values shown are nominal and not to be used for installation purposes. See product specification for installation requirements.

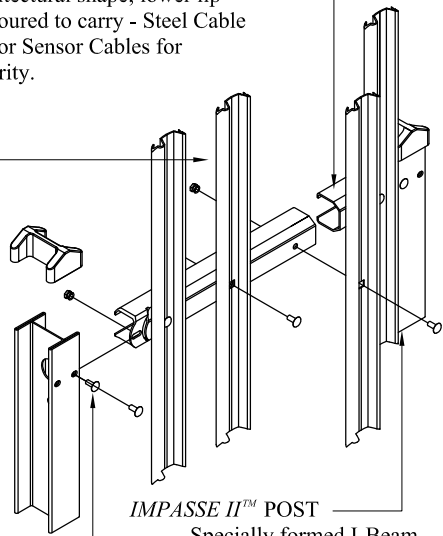


**IMPASSE II™ RAIL**

Specially formed high strength architectural shape; lower lip contoured to carry - Steel Cable and/or Sensor Cables for security.

**IMPASSE II™ PALE**

Specially formed high strength corrugated shape; resists prying or bending; bolt holes recessed to prevent chiselling of bolt head.



**HIGH SECURITY STEEL FENCE**

Title: **IMPASSE II STRONGHOLD 2/3-RAIL**

DR: CI	SH . 1 of 1	SCALE: DO NOT SCALE
CK: BS	Date 11/4/11	REV: a



**AMERISTAR®**

1555 N. Mingo  
Tulsa, OK 74116  
1-888-333-3422  
www.ameristarfence.com