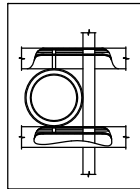


NOTES:

- 1.) Post size depends on fence height and wind loads. See ECHELON II™ post sizing chart.
- 2.) Panels also available for 6' on center post spacing
- 3.) Additional heights available on request. Some heights noted require a fourth rail.
- 4.) Fourth rail optional.

RING OPTION

Held in place with upper and lower internal retaining rods to eliminate unsightly external fasteners.

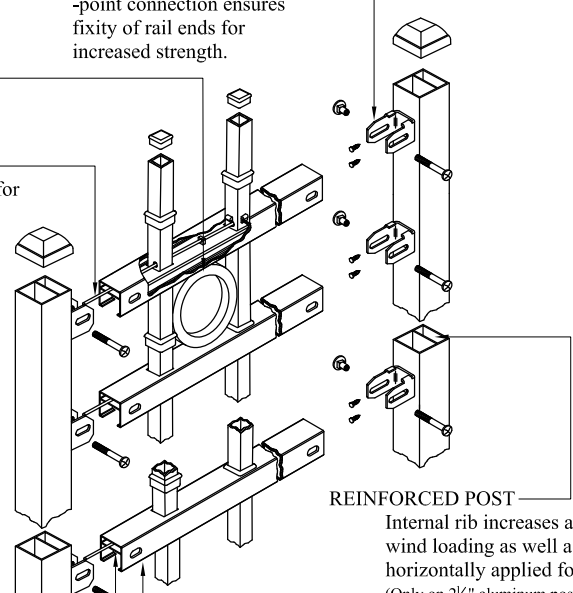
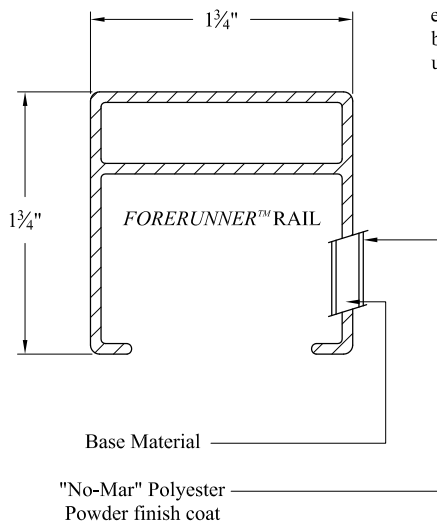


PANEL BRACKET

Specially designed two-point connection ensures fixity of rail ends for increased strength.

INTERNAL RETAINING ROD

Variable pitch connection system for ease of installation, high angle bias ability and elimination of unsightly external fasteners.



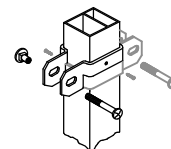
INTERIOR GUIDE CHANNEL

Channel forms lower limit of raceway for retaining rod and allows for high angle bias ability.

FORERUNNER™ RAIL

"U"-Channel specially formed high strength architectural shape.

OPTIONAL WRAP AROUND BRACKET



Values shown are nominal and not to be used for installation purposes. See product specification for installation requirements.

INDUSTRIAL STRENGTH ALUMINUM

Title: **ECHELON II GENESIS 3/4 - RAIL W/RINGS**

DR: CI SH. 1 of 1 SCALE: DO NOT SCALE

CK: PB Date 11-8-11 REV: e



AMERISTAR®

1555 N. Mingo
Tulsa, OK 74116
1-888-333-3422
www.ameristarfence.com