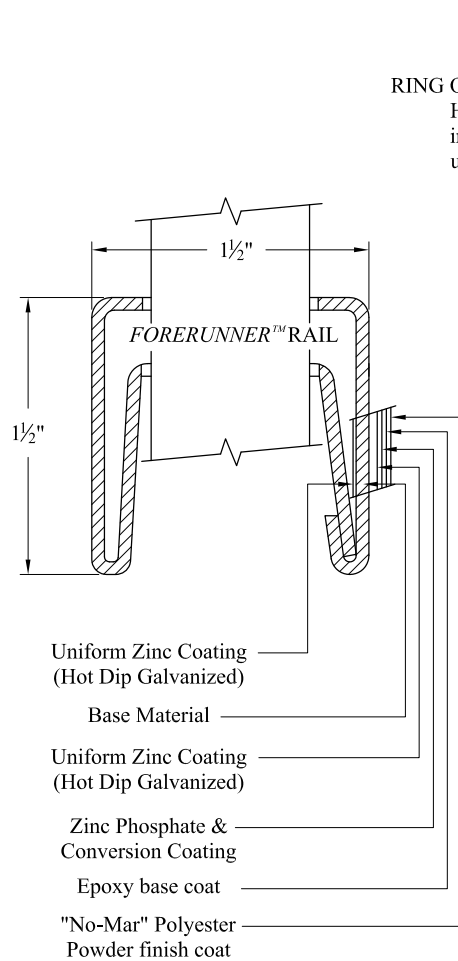


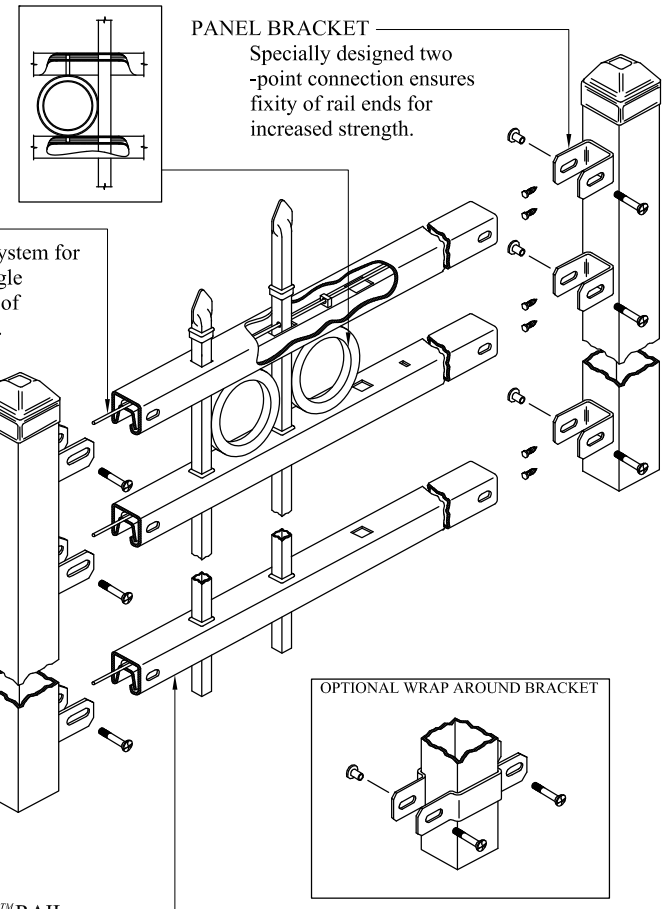
- NOTES:**
- 1.) Post size depends on fence height and wind loads. See *AEGIS Plus™* post sizing chart.
  - 2.) Panels also available for 6' on center post spacing
  - 3.) Additional heights available on request
  - 4.) Third rail optional (Required with rings, See Detail).



**COMMERCIAL STRENGTH STEEL**

Title: **AEGIS PLUS WARRIOR 2/3-RAIL W/RING OPTION**

DR: CI	SH . 1 of 1	SCALE: DO NOT SCALE
CK: PB	Date 6/17/10	REV: e



**FORERUNNER™ RAIL**  
 Double-walled "U"-Channel  
 Specially formed high strength  
 architectural shape.

Values shown are nominal and not to be used for installation purposes. See product specification for installation requirements.



**AMERISTAR®**

1555 N. Mingo  
 Tulsa, OK 74116  
 1-888-333-3422  
 www.ameristarfence.com