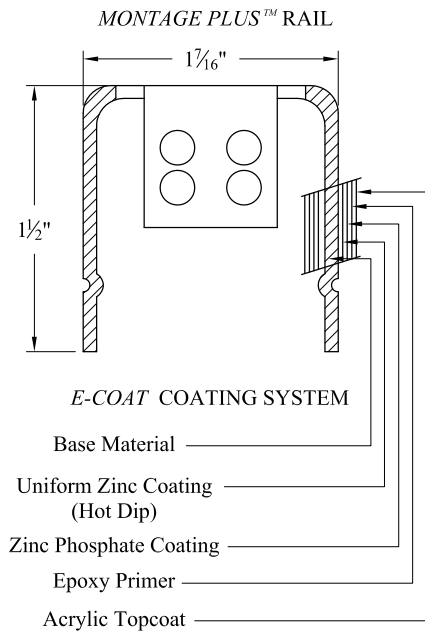


NOTES:

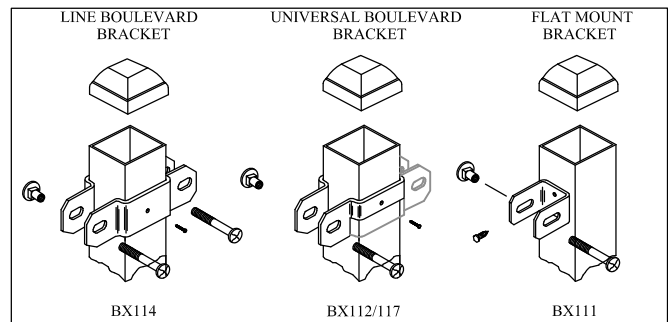
- 1.) Post size depends on fence height and wind loads. See MONTAGE PLUS™ specifications for post sizing chart.
- 2.) Forth rail optional.
- 3.) 7' - 8' Heights will require a 14ga Picket & 14ga Post.

RAKING DIRECTIONAL ARROW
 Welded panel can be raked 30" over 8' with arrow pointing down grade.



PROFUSION™ WELDING PROCESS
 No exposed welds,
 Good Neighbor profile - Same appearance on both sides

MONTAGE PLUS™ RAIL
 Specially formed high strength architectural shape.



COMMERCIAL STRENGTH WELDED STEEL PANEL
PRE-ASSEMBLED

Title: **MONTAGE COMMERCIAL CLASSIC 3/4-RAIL**

DR: NJB SH . 1 of 1 SCALE: DO NOT SCALE

CK: BS Date 09/21/11 REV: d



AMERISTAR®

1555 N. Mingo
 Tulsa, OK 74116
 1-888-333-3422
 www.ameristarfence.com

Values shown are nominal and not to be used for installation purposes. See product specification for installation requirements.

IRCIS07-8