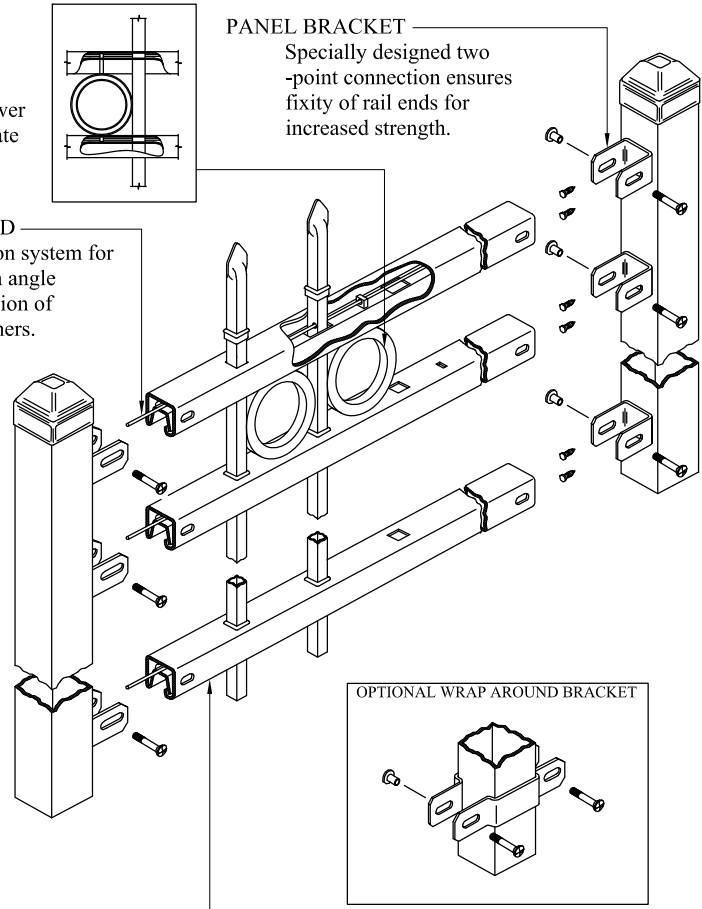
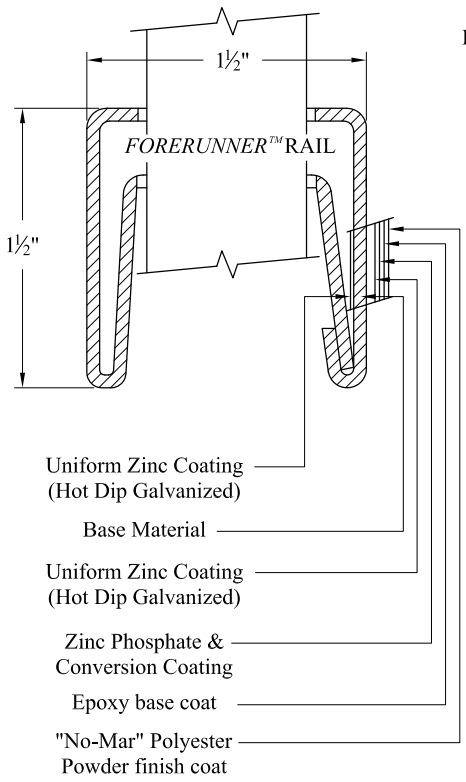


- NOTES:**
- 1.) Post size depends on fence height and wind loads. See *AEGIS Plus™* post sizing chart.
 - 2.) Panels also available for 6' on center post spacing
 - 3.) Additional heights available on request
 - 4.) Third rail optional (Required with rings, See Detail).

RING OPTION
 Held in place with upper and lower internal retaining rods to eliminate unsightly external fasteners.

INTERNAL RETAINING ROD
 Variable pitch connection system for ease of installation, high angle bias ability and elimination of unsightly external fasteners.

PANEL BRACKET
 Specially designed two-point connection ensures fixity of rail ends for increased strength.



Values shown are nominal and not to be used for installation purposes. See product specification for installation requirements.

COMMERCIAL STRENGTH STEEL

Title: **AEGIS PLUS CLASSIC 2/3-RAIL W/RING OPTION**

DR: CI	SH . 1 of 1	SCALE: DO NOT SCALE
CK: PB	Date 6/17/10	REV: e



AMERISTAR®

1555 N. Mingo
 Tulsa, OK 74116
 1-888-333-3422
 www.ameristarfence.com