

# AEGIS II

## INDUSTRIAL COMPONENT STEEL ORNAMENTAL FENCE



### THE BASELINE FOR ORNAMENTAL FENCE

For over 18 years Aegis II has been the benchmark for industrial ornamental fences. The combination of ForeRunner rail strength and maintenance-free PermaCoat finish make Aegis II the specified choice for industrial ornamental fencing.

#### STRENGTH

Aegis II is constructed using a ForeRunner rail design. The ForeRunner rail is unmatched in strength due to its dual-wall profile.

#### FLEXIBLE

Because of the unique strength of the ForeRunner rail Aegis II is flexible in design. Aegis II is available in a myriad of different heights and configurations for any application.

#### MAINTENANCE-FREE

The “no-mar” polyester powder top coat dramatically increases weathering resistance (color and gloss retention) and reduces scratched and burnishing marks normally encountered during shipping.



We take great pride in manufacturing “Made in the USA” products. Ameristar is located in Tulsa, Oklahoma and is American owned and operated.

#### *Applications:*

- Stadiums & Event Centers
- Schools & Universities
- Public Housing Authorities
- Hospitals
- Parks & Recreation
- Water Treatment & Storage
- State Facilities
- Manufacturing Plants

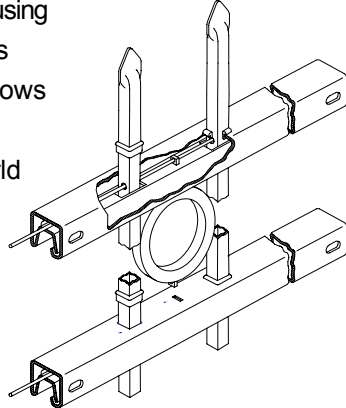
Covered by or for use with one or more of the following U.S. patents: 5.443.244, 6.254.064

# AEGIS II

## INDUSTRIAL COMPONENT STEEL ORNAMENTAL FENCE

### PANELS

Aegis II is constructed using a component design. This one-of-a-kind design allows the fence system to be shipped around the world with no risk of damage.



Pickets - 1" x 14ga.

ForeRunner Rails - 1-3/4" x 1-3/4" x dual 14ga.

### POSTS

Posts are manufactured of high tensile steel and are galvanized inside and out for superior corrosion protection. Industrial strength posts are recommended for Aegis II.

2-1/2" Sq. x 12ga. & 3" Sq. x 12ga.

### BRACKETS

Aegis II brackets are designed of high strength stainless steel and accompanied with tamper-proof fasteners. Ameristar's bracketed design allows the contractor to have a flawless installation and helps maintain the integrity of the coating by not welding the panels to the posts.

### GATES

Ameristar understands the importance of balancing perimeter security with the highest quality entry control gates. Aegis II has a wide variety of Swing, Slide, and Cantilever Gates to match any entry.



Aegis II is produced using up to 96% post-industrial recycled steel.

### COATING & WARRANTY

Aegis II is protected with Ameristar's unique PermaCoat Multi-layer coating process. The combination of these layers delivers a system that increases weathering resistance and product durability.

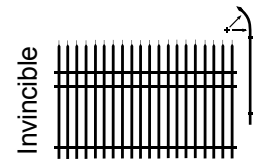
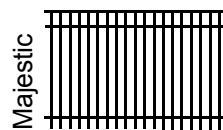
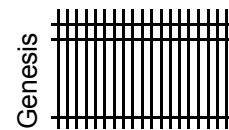
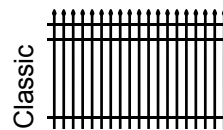
Aegis II is manufactured using the highest quality materials and backed with Ameristar's 10 year warranty.

### CUSTOM

Although Aegis II has many standard heights, styles, and colors, this product line has the flexibility to be manufactured in custom heights, styles, and colors.

Aegis II also has multiple picket finial options to add a more ornate appeal to the perimeter, and a variety of panel adornments are available to compliment the project.

### STYLES



Item No. 9791 / Effective: 11/2011

AMERISTAR FENCE PRODUCTS  
1555 N. MINGO RD.  
TULSA, OK 74116



**AMERISTAR**<sup>®</sup>  
**FENCE PRODUCTS**

PH. 888-333-3422  
MKTG@AMERISTARFENCE.COM  
WWW.AMERISTARFENCE.COM